

**DATA SHEET**

# AS195-306, AS195-306LF: PHEMT GaAs IC High-Power SP5T Switch 0.1–2 GHz

**Features**

- 5 symmetric RF paths
- Positive voltage control
- High IP3
- Excellent harmonic performance
- Handles GSM power levels
- Available in QFN-16 (4 x 4 mm) package
- Available lead (Pb)-free and RoHS-compliant MSL-1 @ 260 °C per JEDEC J-STD-020

**Description**

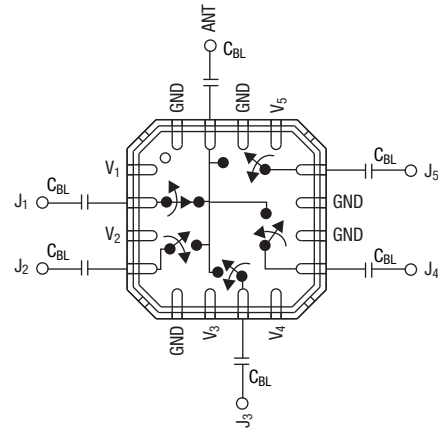
The AS195-306 is a reflective SP5T switch. It is an ideal switch for higher power applications. It can be used for GSM dual-band handset applications where low loss, low current and small size are critical parameters.

**NEW**

Skyworks offers lead (Pb)-free, RoHS (Restriction of Hazardous Substances)-compliant packaging.



**Pin Out**



DC blocking capacitors ( $C_{BL}$ ) must be supplied externally.  
 $C_{BL} = 47$  pF for operating frequency >500 MHz.

**Electrical Specifications at 25 °C (0, 3 V)**

$Z_0 = 50 \Omega$ , unless otherwise noted

| Parameter      |  | Frequency   | Min. | Typ.  | Max. | Unit |
|----------------|--|-------------|------|-------|------|------|
| Insertion loss | Ant-J <sub>1</sub> , J <sub>2</sub> , J <sub>3</sub> , J <sub>4</sub> , J <sub>5</sub> | 0.1–0.5 GHz |      | 0.5   | 0.7  | dB   |
|                |  | 0.5–1.0 GHz |      | 0.6   | 0.8  | dB   |
|                |  | 1.0–2.0 GHz |      | 1.0   | 1.1  | dB   |
| Isolation      | Ant-J <sub>1</sub> , J <sub>2</sub> , J <sub>3</sub> , J <sub>4</sub> , J <sub>5</sub> | 0.1–0.5 GHz | 30   | 35    |      | dB   |
|                |  | 0.5–1.0 GHz | 25   | 27    |      | dB   |
|                |  | 1.0–2.0 GHz | 21   | 23    |      | dB   |
| VSWR           |  | 0.1–1.0 GHz |      | 1.4:1 |      |      |
|                |  | 1.0–2.0 GHz |      | 1.6:1 |      |      |

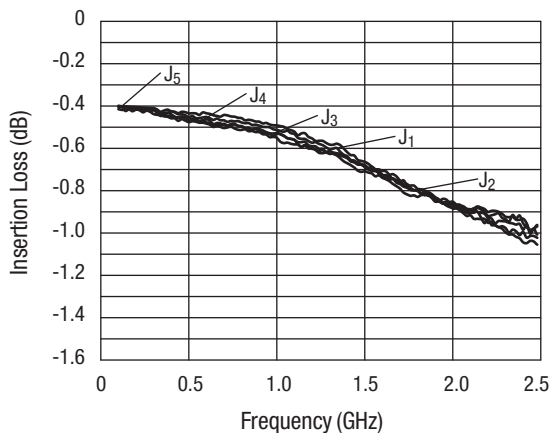
### Operating Characteristics at 25 °C (0, 3 V)

$Z_0 = 50 \Omega$ , unless otherwise noted

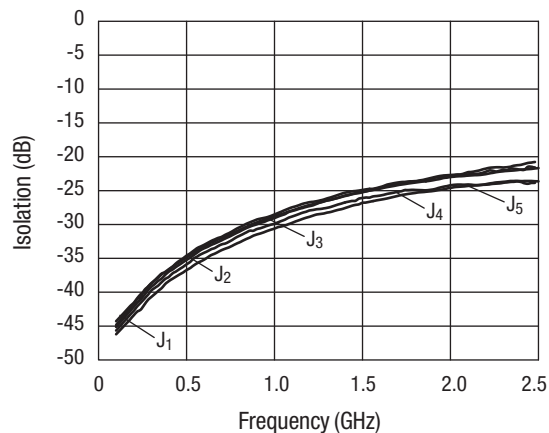
| Parameter                 | Condition   | Frequency | Min. | Typ. | Max. | Unit |
|---------------------------|---|-----------|------|------|------|------|
| Switching characteristics |   |           |      |      |      |      |
| Rise, fall                | 10/90% or 90/10% RF   |           |      | 50   |      | ns   |
| On, off                   | 50% CTL to 90/10% RF  |           |      | 100  |      | ns   |
| Video feedthru            | $T_{RISE} = 1 \text{ ns}$ , BW = 500 MHz                          |           |      | 50   |      | mV   |
| IP3                       | 13 dBm/tone   |           |      | 55   |      | dBm  |
| 2nd and 3rd harmonics     | 34 dBm input 900 MHz  |           |      | -65  |      | dBc  |
| Thermal resistance        |   |           |      | 25   |      | °C/W |
| Control voltages          | $V_{LOW} = 0$<br>$V_{HIGH} = 3 \text{ V @ } 200 \mu\text{A max.}$ |           |      |      |      |      |

### Typical Performance Data

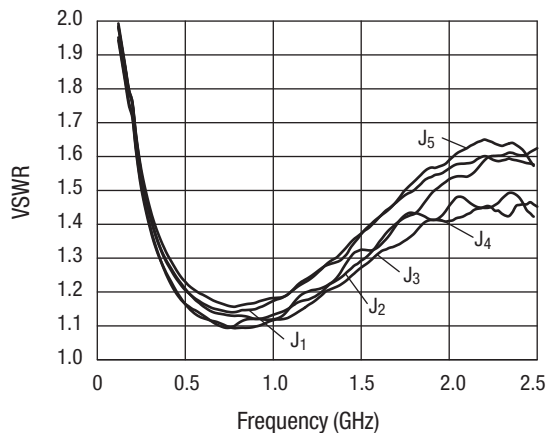
$Z_0 = 50 \Omega$ , unless otherwise noted



Typical Loss (All Paths) vs. Frequency



Typical Isolation (All Paths) vs. Frequency



VSWR vs. Frequency

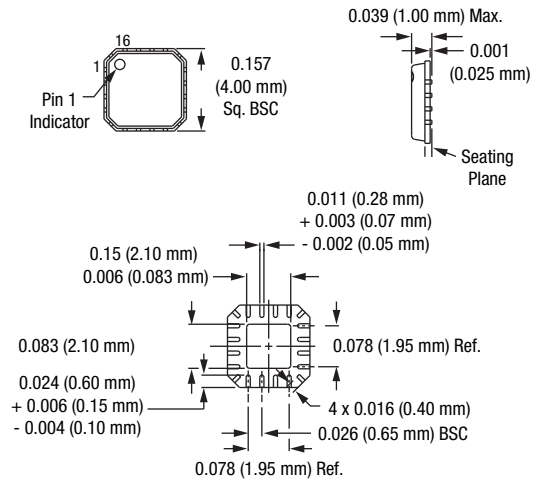
### Absolute Maximum Ratings

| Characteristic        | Value   |
|-----------------------|---|
| RF Input Power        | 36 dBm, f > 500 MHz,<br>27 dBm < 500 MHz, 0/8 V control<br>100 mW f ≤ 500 MHz |
| Control Voltage       | -0.2 V, +8 V  |
| Operating Temperature | -40 °C to +85 °C  |
| Storage Temperature   | -65 °C to +150 °C   |

Performance is guaranteed only under the conditions listed in the specifications table and is not guaranteed under the full range(s) described by the Absolute Maximum specifications. Exceeding any of the absolute maximum/minimum specifications may result in permanent damage to the device and will void the warranty.

**CAUTION:** Although this device is designed to be as robust as possible, ESD (Electrostatic Discharge) can damage this device. This device must be protected at all times from ESD. Static charges may easily produce potentials of several kilovolts on the human body or equipment, which can discharge without detection. Industry-standard ESD precautions must be employed at all times.

### QFN-16 (4 x 4 mm)



### Truth Table

| V <sub>1</sub>    | V <sub>2</sub>    | V <sub>3</sub>    | V <sub>4</sub>    | V <sub>5</sub>    | Ant-J <sub>1</sub> | Ant-J <sub>2</sub> | Ant-J <sub>3</sub> | Ant-J <sub>4</sub> | Ant-J <sub>5</sub> |
|-------------------|-------------------|-------------------|-------------------|-------------------|--------------------|--------------------|--------------------|--------------------|--------------------|
| V <sub>HIGH</sub> | 0                 | 0                 | 0                 | 0                 | Ins. loss          | Isol.              | Isol.              | Isol.              | Isol.              |
| 0                 | V <sub>HIGH</sub> | 0                 | 0                 | 0                 | Isol.              | Ins. loss          | Isol.              | Isol.              | Isol.              |
| 0                 | 0                 | V <sub>HIGH</sub> | 0                 | 0                 | Isol.              | Isol.              | Ins. loss          | Isol.              | Isol.              |
| 0                 | 0                 | 0                 | V <sub>HIGH</sub> | 0                 | Isol.              | Isol.              | Isol.              | Ins. loss          | Isol.              |
| 0                 | 0                 | 0                 | 0                 | V <sub>HIGH</sub> | Isol.              | Isol.              | Isol.              | Isol.              | Ins. loss          |

All other conditions not recommended.  
 "0" = 0 to 0.2 V.  
 "V<sub>HIGH</sub>" = 2.7 to 5 V.

### Recommended Solder Reflow Profiles

Refer to the ["Recommended Solder Reflow Profile"](#) Application Note.

### Tape and Reel Information

Refer to the ["Discrete Devices and IC Switch/Attenuators Tape and Reel Package Orientation"](#) Application Note.

Copyright © 2002, 2003, 2004, 2005, 2006, 2007, Skyworks Solutions, Inc. All Rights Reserved.

Information in this document is provided in connection with Skyworks Solutions, Inc. ("Skyworks") products or services. These materials, including the information contained herein, are provided by Skyworks as a service to its customers and may be used for informational purposes only by the customer. Skyworks assumes no responsibility for errors or omissions in these materials or the information contained herein. Skyworks may change its documentation, products, services, specifications or product descriptions at any time, without notice. Skyworks makes no commitment to update the materials or information and shall have no responsibility whatsoever for conflicts, incompatibilities, or other difficulties arising from any future changes.

No license, whether express, implied, by estoppel or otherwise, is granted to any intellectual property rights by this document. Skyworks assumes no liability for any materials, products or information provided hereunder, including the sale, distribution, reproduction or use of Skyworks products, information or materials, except as may be provided in Skyworks Terms and Conditions of Sale.

THE MATERIALS, PRODUCTS AND INFORMATION ARE PROVIDED "AS IS" WITHOUT WARRANTY OF ANY KIND, WHETHER EXPRESS, IMPLIED, STATUTORY, OR OTHERWISE, INCLUDING FITNESS FOR A PARTICULAR PURPOSE OR USE, MERCHANTABILITY, PERFORMANCE, QUALITY OR NON-INFRINGEMENT OF ANY INTELLECTUAL PROPERTY RIGHT; ALL SUCH WARRANTIES ARE HEREBY EXPRESSLY DISCLAIMED. SKYWORKS DOES NOT WARRANT THE ACCURACY OR COMPLETENESS OF THE INFORMATION, TEXT, GRAPHICS OR OTHER ITEMS CONTAINED WITHIN THESE MATERIALS. SKYWORKS SHALL NOT BE LIABLE FOR ANY DAMAGES, INCLUDING BUT NOT LIMITED TO ANY SPECIAL, INDIRECT, INCIDENTAL, STATUTORY, OR CONSEQUENTIAL DAMAGES, INCLUDING WITHOUT LIMITATION, LOST REVENUES OR LOST PROFITS THAT MAY RESULT FROM THE USE OF THE MATERIALS OR INFORMATION, WHETHER OR NOT THE RECIPIENT OF MATERIALS HAS BEEN ADVISED OF THE POSSIBILITY OF SUCH DAMAGE.

Skyworks products are not intended for use in medical, lifesaving or life-sustaining applications, or other equipment in which the failure of the Skyworks products could lead to personal injury, death, physical or environmental damage. Skyworks customers using or selling Skyworks products for use in such applications do so at their own risk and agree to fully indemnify Skyworks for any damages resulting from such improper use or sale.

Customers are responsible for their products and applications using Skyworks products, which may deviate from published specifications as a result of design defects, errors, or operation of products outside of published parameters or design specifications. Customers should include design and operating safeguards to minimize these and other risks. Skyworks assumes no liability for applications assistance, customer product design, or damage to any equipment resulting from the use of Skyworks products outside of stated published specifications or parameters.

Skyworks, the Skyworks symbol, and "Breakthrough Simplicity" are trademarks or registered trademarks of Skyworks Solutions, Inc., in the United States and other countries. Third-party brands and names are for identification purposes only, and are the property of their respective owners. Additional information, including relevant terms and conditions, posted at [www.skyworksinc.com](http://www.skyworksinc.com), are incorporated by reference.

## **О компании**

ООО "ТрейдЭлектроникс" - это оперативные поставки широкого спектра электронных компонентов отечественного и импортного производства напрямую от производителей и с крупнейших мировых складов. Реализуемая нашей компанией продукция насчитывает более полумиллиона наименований.

Благодаря этому наша компания предлагает к поставке практически не ограниченный ассортимент компонентов как оптовыми, мелкооптовыми партиями, так и в розницу.

Наличие собственной эффективной системы логистики обеспечивает надежную поставку продукции по конкурентным ценам в точно указанные сроки.

Срок поставки со стоков в **Европе и Америке – от 3 до 14 дней.**

Срок поставки из **Азии – от 10 дней.**

Благодаря развитой сети поставщиков, помогаем в поиске и приобретении экзотичных или снятых с производства компонентов.

Предоставляем спец цены на элементы для создания инженерных сэмплов.

**Упорный труд, качественный результат дают нам право быть уверенными в себе и надежными для наших клиентов.**

### **Наша компания это:**

- Гарантия качества поставляемой продукции
- Широкий ассортимент
- Минимальные сроки поставок
- Техническая поддержка
- Подбор комплектации
- Индивидуальный подход
- Гибкое ценообразование

Наша организация особенно сильна в поставках модулей, микросхем, пассивных компонентов, ксайленсах (XC), EPF, EPM и силовой электроники.

Большой выбор предлагаемой продукции, различные виды оплаты и доставки, позволят Вам сэкономить время и получить максимум выгоды от сотрудничества с нами!

## Перечень производителей, продукцию которых мы поставляем на российский рынок



С удовольствием будем прорабатывать для Вас поставки всех необходимых компонентов по текущим запросам для скорейшего выявления групп элементов, по которым сотрудничество именно с нашей компанией будет для Вас максимально выгодным!

С уважением,

Менеджер отдела продаж ООО

«Трейд Электроникс»

Шишлаков Евгений

8 (495)668-30-28 доб 169

manager28@tradeelectronics.ru

<http://www.tradeelectronics.ru/>