

# Single-Chip Broadcast Audio/Video Decoder

## CX25840/1/2/3

### Highly Flexible Single-Chip Video and Broadcast Audio Decoding

Conexant's broadband communications portfolio includes a comprehensive suite of semiconductor solutions that enable the digital home and information network. The CX25840/1/2/3 is Conexant's second generation of Audio/Video (A/V) decoders built on the success of the CX23880 family of broadcast A/V PCI decoders. These devices are optimized for the regional broadcast requirements and are pin-to-pin compatible with each other. The CX25840/1/2/3 is the smallest integrated stereo broadcast A/V decoder capable of demodulating all of the most common worldwide A/V standards.

The CX25840 with no DBX and CX25841 with DBX support both the North American (BTSC) and Japanese (EIA-J) markets, respectively. The CX25842 supports the European market. And finally, for the customer who wants a single chip to address all worldwide broadcast standards, there is the CX25843. This device provides highly integrated, single-chip analog, A/V capture solutions ideal for digital video systems that support worldwide broadcast analog A/V content.

Distinguished by its high quality, flexibility, broadcast audio support, integration, and ease of use, the CX25840/1/2/3 can be designed into a wide array of applications, including set-top boxes, flat panel displays, HDTVs, and personal video recorders (PVRs).

#### Highly Integrated

The CX25840/1/2/3 is highly integrated, and includes anti-aliasing, noise rejection filters, and Automatic Gain Control (AGC) and DC restore circuits. Along with worldwide decoding for all common video and broadcast audio standards, processing functions such as high-quality four-lines adaptive comb filtering, arbitrary horizontal and 5-tap vertical scaling, hue, brightness, saturation, and contrast controls are also included. The audio path includes an automatic volume control function and two assignable stereo processing units for control of volume, three-band equalization, and balance.

The level of audio and video integration provided by the CX25840/1/2/3 removes the need for additional broadcast audio decoding and processing chips or external sound demodulation chips. It also reduces the overall Bill-of-Materials (BOM) for the system developer, without compromising audio and video performance.



### Distinguishing Features

- Auto detection and configuration for audio/video
- Worldwide audio standards - BTSC, EIA-J, A2, NICAM, FM/AM
- Baseband audio support via I2S and AC 97
- Two 10 bit A/D
- Component video support
- Integrated anti-alias filter
- 12mm X 12mm 80-TQFP
- 4H adaptive comb
- On-chip voltage regulator

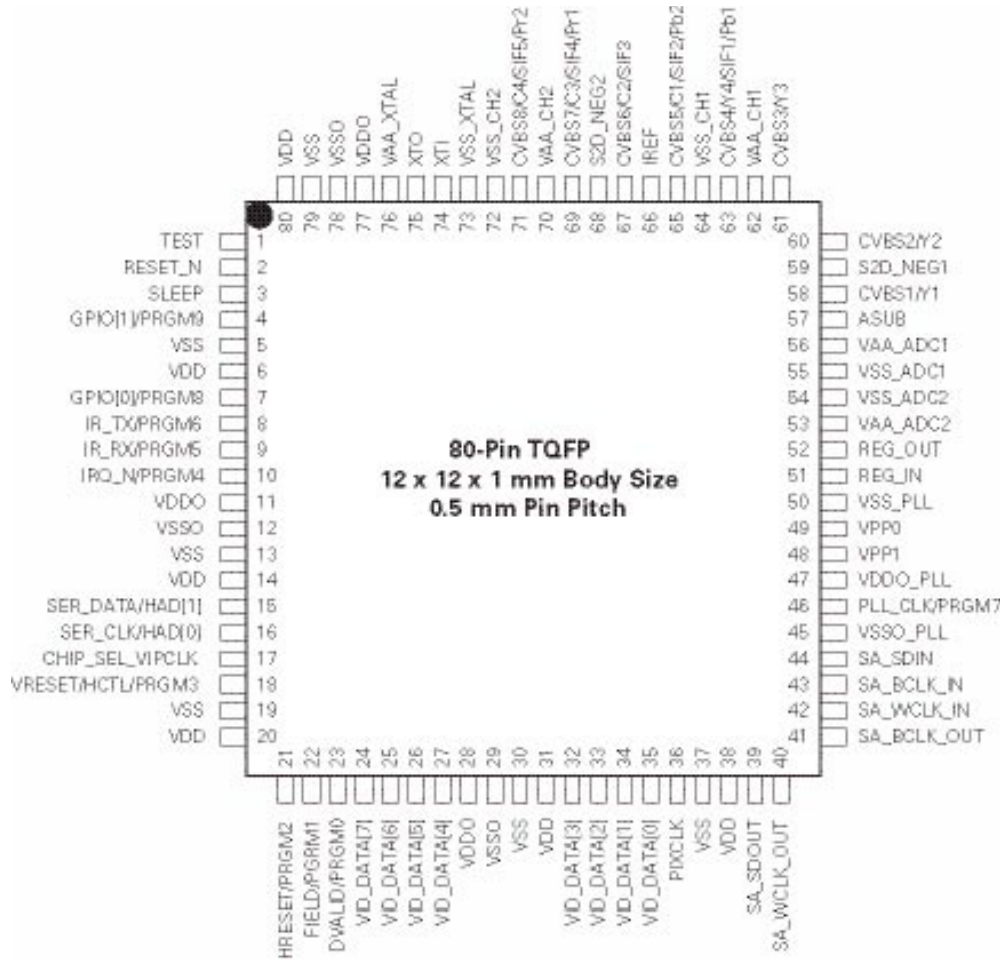
**Part Number** CX25840/1/2/3

**Description** Broadcast Audio/Video Decoder

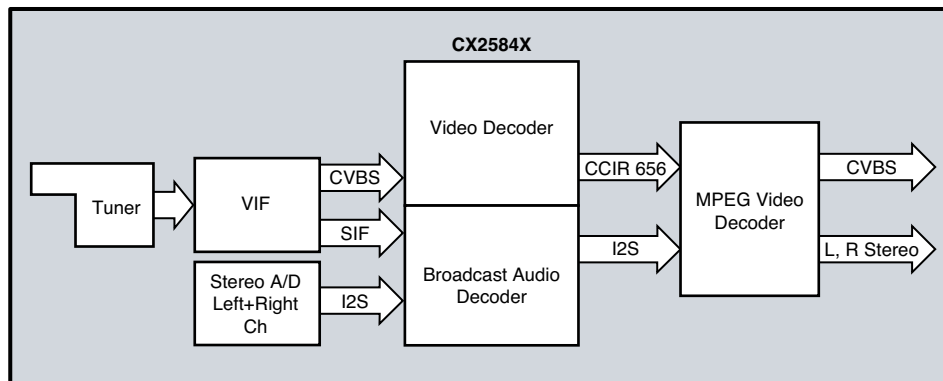


Part Ordering Numbers

Part Number	Worldwide Audio Decoding	A2, NICAM, FM, AM, Audio Decoding	BTSC (with DBX), EIA-J Audio Decoding	BTSC (without DBX), EIA-J Audio Decoding	Component Video Input	VIP Host Port
CX25840				X	X	X
CX25841			X		X	X
CX25842		X			X	X
CX25843	X				X	X



**CX25843, CX25842, CX25841, and CX25840 Pinout**



**CX25840/1/2/3 Diagram**

### CX25840/1/2/3 Features

- Auto detection and configuration of worldwide broadcast A/V standards
- Worldwide video standards – NTSC (M, J, 4.43), PAL (B, D, G, H, I, M, N, Nc), SECAM (K, L)
- Worldwide audio standards – BTSC, EIA-J, A2, NICAM, FM/AM
- Full 2 10-Bit ADCs and data path
- Flexible video input mux with integrated anti-alias filtering
- Four line adaptive comb filter for NTSC and PAL
- Flexible video output port - 27 MHz ITU-R BT.656, VIP 2, or ITU-R BT.601 video with separate syncs
- Macrovision detection
- Programmable VBI data slicer for data services such as closed caption, Teletext, and program guides
- Power-up configurable two wire serial command interface or two wire VIP 1.1/2 host port interface
- Multiple audio outputs – serial audio interface I2S or AC97 or embedded as ancillary data in the video stream
- Flexible sample rate conversion on all audio inputs and outputs
- Hardware interrupt to eliminate polling
- Fast locking mode for security camera applications
- Auxiliary clock output – For providing an over sample audio clock locked to the video or for use as a general purpose PLL output
- Infrared transmit and receive logic
- Internal voltage regulation for single supply operation
- Low power
- 80-pin TQFP

### Typical Applications

- Flat panel displays
- HDTV
- TV tuners
- DVD players
- Video cameras
- Set-top boxes
- VCRs and PVRs
- Game consoles

© 2003, Conexant Systems, Inc. All Rights Reserved. Conexant and the Conexant logo are registered trademarks of Conexant Systems, Inc. All other trademarks are owned by their respective owners. Although Conexant strives for accuracy in all its publications, this material may contain errors or omissions and is subject to change without notice. **THIS MATERIAL IS PROVIDED AS IS AND WITHOUT ANY EXPRESS OR IMPLIED WARRANTIES, INCLUDING MERCHANTABILITY, FITNESS FOR A PARTICULAR PURPOSE AND NON-INFRINGEMENT.** Conexant shall not be liable for any special, indirect, incidental or consequential damages as a result of its use.

**www.conexant.com**  
General Information:  
U.S. and Canada: (888) 855-4562  
International: (732) 345-7500  
Headquarters  
4000 MacArthur Blvd.  
Newport Beach, CA 92660  
Order# 102205A



## **О компании**

ООО "ТрейдЭлектроникс" - это оперативные поставки широкого спектра электронных компонентов отечественного и импортного производства напрямую от производителей и с крупнейших мировых складов. Реализуемая нашей компанией продукция насчитывает более полумиллиона наименований.

Благодаря этому наша компания предлагает к поставке практически не ограниченный ассортимент компонентов как оптовыми, мелкооптовыми партиями, так и в розницу.

Наличие собственной эффективной системы логистики обеспечивает надежную поставку продукции по конкурентным ценам в точно указанные сроки.

Срок поставки со стоков в **Европе и Америке – от 3 до 14 дней.**

Срок поставки из **Азии – от 10 дней.**

Благодаря развитой сети поставщиков, помогаем в поиске и приобретении экзотичных или снятых с производства компонентов.

Предоставляем спец цены на элементы для создания инженерных сэмплов.

**Упорный труд, качественный результат дают нам право быть уверенными в себе и надежными для наших клиентов.**

### **Наша компания это:**

- Гарантия качества поставляемой продукции
- Широкий ассортимент
- Минимальные сроки поставок
- Техническая поддержка
- Подбор комплектации
- Индивидуальный подход
- Гибкое ценообразование

Наша организация особенно сильна в поставках модулей, микросхем, пассивных компонентов, ксайленсах (XC), EPF, EPM и силовой электроники.

Большой выбор предлагаемой продукции, различные виды оплаты и доставки, позволят Вам сэкономить время и получить максимум выгоды от сотрудничества с нами!

## Перечень производителей, продукцию которых мы поставляем на российский рынок



С удовольствием будем прорабатывать для Вас поставки всех необходимых компонентов по текущим запросам для скорейшего выявления групп элементов, по которым сотрудничество именно с нашей компанией будет для Вас максимально выгодным!

С уважением,

Менеджер отдела продаж ООО

«Трейд Электроникс»

Шишлаков Евгений

8 (495)668-30-28 доб 169

manager28@tradeelectronics.ru

<http://www.tradeelectronics.ru/>