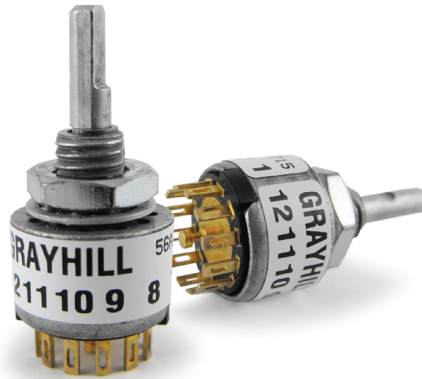


### SERIES 56

0.5" Diameter, 200mA,  
.355" Behind Panel

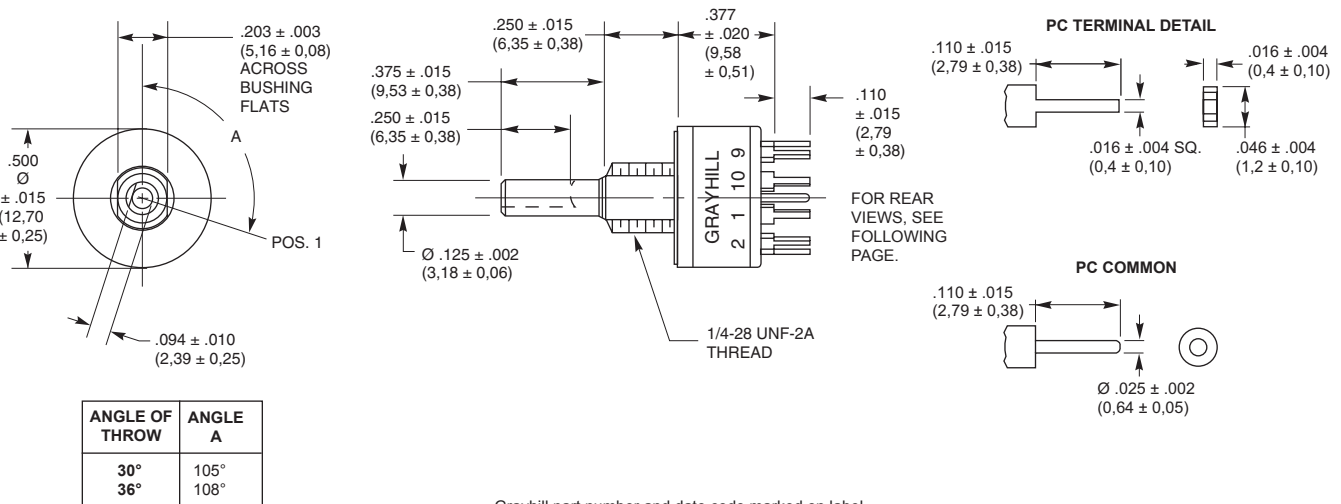
#### FEATURES

- Requires Minimum Distance Behind the Panel
- Adjustable Stop Types Provide Prototypes Immediately
- Industrial Quality, Economically Priced
- RoHS Compliant

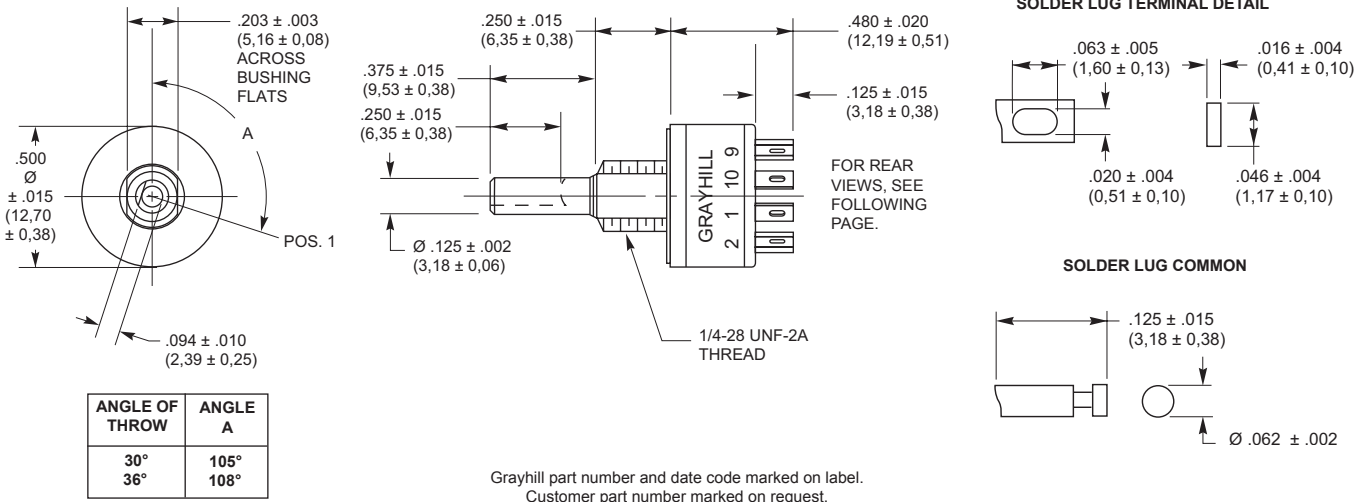


#### DIMENSIONS in inches (and millimeters)

##### PC Mount Style



##### Solder Lug Style



CIRCUIT DIAGRAMS AND REAR VIEWS: PC Mountable AND Solder Lug Terminals

### Rear View

**30° Angle of Throw**

**36° Angle of Throw**

### Circuit as Viewed From Shaft End

**30° Angle of Throw**

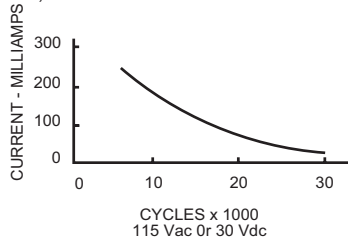
**36° Angle of Throw**

Dimension	PC Mount Terminals	Solder Lug Terminals
A	.184 ± .015 (4.67 ± 0.38)	.126 ± .015 (3.20 ± 0.38)

**SPECIFICATIONS**

**Electrical Ratings**

Chart shown for non-shortening (break before make) contacts, resistive load.



One cycle is 360° rotation clockwise and 360° return. The data for the curve was measured at sea level, 25°C and 68% relative humidity with the life limiting criteria which follows.

**Contact Resistance:** 100 milliohms maximum, (15 milliohms initially).

**Insulation Resistance:** 10,000 Mohms minimum between mutually insulated parts (50,000 Mohms initially).

**Voltage Breakdown:** 600 Vac minimum between mutually insulated parts at standard atmospheric pressure.

**Life Expectancy:** As determined from the load-life curve for the current to be switched. Contact GRAYHILL for more information if any of the following is true: the life limiting criteria are more critical than those listed; longer operation is required; a larger make and break current is required; the operating environment includes

elevated temperatures or reduced pressures.  
**Contact Carry Rating:** Switch will carry 6 amperes continuously with a maximum contact temperature rise of 20°C.

**Additional Characteristics**

**Contact Type and Forces:** Shorting or non-shortening wiping contacts with over 25 grams of contact force.

**Shaft Flat Orientation:** Flat opposite contacting position of pole number one (see circuit diagrams).

**Terminals:** Switches have the full circle of terminals, regardless of number of active positions.

**Stop Strength:** 7.5 lb-in. minimum

**Rotational Torque:** 3.5 to 9 oz-in. (21-53 mN-m), depending on the number of poles.

**Bushing Mounting:** Required for switches with stops, and recommended for switches without stops.

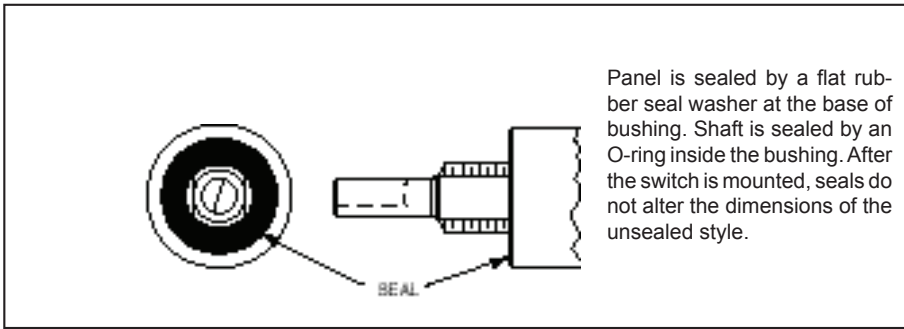
**Meets MIL-S-3786 for:**

High and medium shock; Vibration (10 to 2,000 Hz); Thermal shock (-65° to 85 ° C); Salt spray; Explosion; Stop strength (7.5 in-lbs. minimum (.85 N-m); Terminal strength; Sealed styles withstand water pressure of 15 PSI minimum (103 KPa) without leakage.

**Materials and Finishes**

- Housing:** Zinc die cast, tin zinc plated
- Mounting Nut:** Brass, tin zinc plated
- Lockwasher:** Spring steel, zinc plated
- Panel Seal:** Silicone rubber
- Shaft and Stop Arm:** Zinc die cast or stainless steel
- Retaining Ring:** 302 Stainless steel, passivated
- Shaft Seal:** Silicone rubber
- Stop Pins:** 303 Stainless steel, passivated
- Detent Rotor:** Molded thermoplastic
- Detent Spring:** Tinned music wire
- Detent Balls:** Steel, nickel-plated
- Contact Spring:** Stainless steel, passivated
- Rotor Contact:** Brass, silver over nickel plate
- Common Ring:** Brass, gold over silver over nickel plate
- Terminals:** Brass, gold over silver over nickel plate
- Switch Base:** Molded thermoset plastic
- Mounting Hardware:** One mounting nut .089" thick by .375" across flats and one internal tooth lockwasher are supplied with the switch.

SHAFT AND PANEL SEAL: Style S

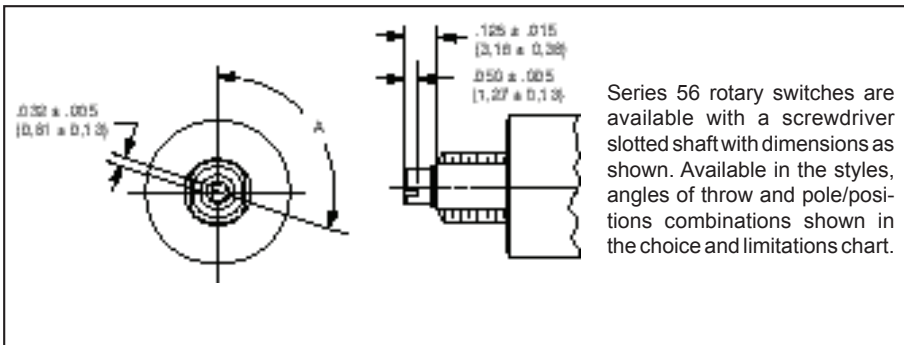


Panel is sealed by a flat rubber seal washer at the base of bushing. Shaft is sealed by an O-ring inside the bushing. After the switch is mounted, seals do not alter the dimensions of the unsealed style.



Shaft and Panel Seal

SCREWDRIVER SLOTTED SHAFT: Option

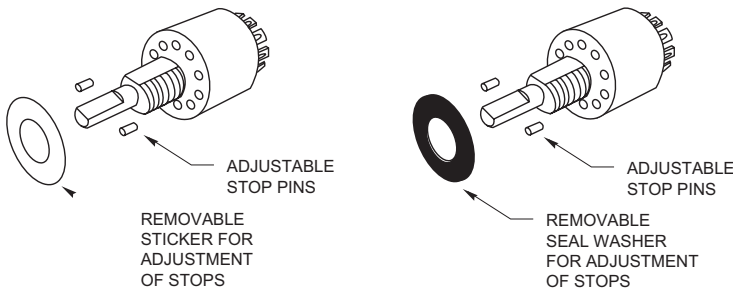


Screwdriver Slotted Shaft

ADJUSTABLE STOP SWITCHES

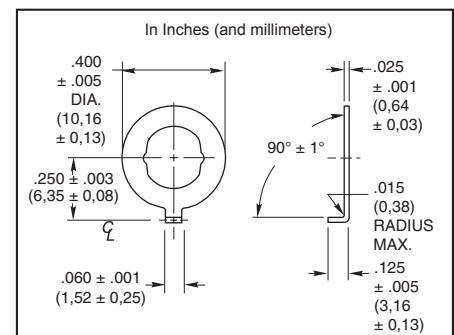
Two stop pins and an adhesive backed sticker or seal washer are provided. Sticker is temporarily removed to locate stop pins as desired to limit

the shaft rotation. All dimensions are identical to the fixed stop switch counterpart.



Adjustable Stop

ACCESSORY: Non-Turn Washer



Part No. 50J1066

Cut round hole for the bushing and for the non-turn tab. Washer fits the double D bushing flats. Washer is sold only when accompanied by an order for a like number of switches. Washer is 302 stainless steel.

SUGGESTED ADJUSTABLE STOP SUBSTITUTION GUIDE

Fixed Stop Style	Adjustable Stop Style Equivalent	Fixed Stop Style	Adjustable Stop Style Equivalent
56A	56D	56B	56BD
56S	56SD	56BS	56BSD
56P	56DP	56BP	56BDP
56SP	56SDP	56BSP	56BDSP

## CHOICES AND LIMITATIONS: Series 56

A = Standard, 1/8" Shaft  
 B = Screwdriver Slot Shaft  
 D = Adjustable Stop (Adj. Stop)

P = PC Mount Terminals  
 S = Shaft/Panel Seal (S/P Seal)

Style Designation	FEATURES				Screwdriver Slotted Shaft Equivalent	Angle Of Throw	Number Of Poles	Number Of Positions Per Pole	Shorting Or Non-Shorting Contacts
	Solder Lug Terminals	PC Mount Terminals	Shaft/Panel Seal	Adjustable Stops <sup>1</sup>					
A	X				B	30°	1 2 4	02 thru 12 02 thru 06 02 or 03	N or S N or S N or S
S	X				BS				
P		X			BP				
SP		X	X		BSPD				
X			X	BD		36°	1 2	02 thru 10 02 thru 05	N or S N or S
SD	X		X	X	BSD				
DP		X		X	BDP				
SDP		X	X	X	BSDP				

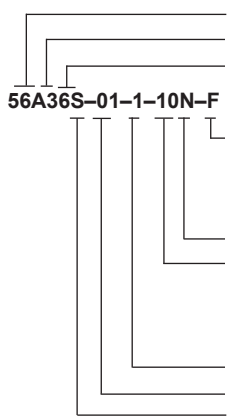
<sup>1</sup>Adjustable stop versions allow selection of 2 positions to the maximum number of positions per pole.

## STANDARD OPTIONS

**Available from your local Grayhill Distributor**

For prices and discounts, contact a local Sales Office, an authorized local Distributor, or Grayhill. Not available thru Distributors when Intermixing of shorting and non-shorting contacts. Contact Grayhill.

## ORDERING INFORMATION



**Series**  
**Style:** Letters from Choices Chart  
**Angle of Throw:** 30 or 36°

**Stop Arrangement:** The suffix C or F must be added to a one pole per deck switch with the maximum number of positions to indicate continuous rotation (C) or fixed stops (F) between position 1 and the last position.

**Type of Contacts:** N = Non-shorting, S = Shorting

**Positions Per Pole:** 02 as a minimum to the maximum allowable for the angle of throw and number of poles per the Choices Chart. Use the letters AJ in this location if adjustable stop switch is to be ordered.

**Poles per Deck:** Limited by angle of throw. See chart

**Number of Decks:** 01 only

**Shafts:** S= stainless steel, Blank= zinc die cast

## **О компании**

ООО "ТрейдЭлектроникс" - это оперативные поставки широкого спектра электронных компонентов отечественного и импортного производства напрямую от производителей и с крупнейших мировых складов. Реализуемая нашей компанией продукция насчитывает более полумиллиона наименований.

Благодаря этому наша компания предлагает к поставке практически не ограниченный ассортимент компонентов как оптовыми, мелкооптовыми партиями, так и в розницу.

Наличие собственной эффективной системы логистики обеспечивает надежную поставку продукции по конкурентным ценам в точно указанные сроки.

Срок поставки со стоков в **Европе и Америке – от 3 до 14 дней.**

Срок поставки из **Азии – от 10 дней.**

Благодаря развитой сети поставщиков, помогаем в поиске и приобретении экзотичных или снятых с производства компонентов.

Предоставляем спец цены на элементы для создания инженерных сэмплов.

**Упорный труд, качественный результат дают нам право быть уверенными в себе и надежными для наших клиентов.**

### **Наша компания это:**

- Гарантия качества поставляемой продукции
- Широкий ассортимент
- Минимальные сроки поставок
- Техническая поддержка
- Подбор комплектации
- Индивидуальный подход
- Гибкое ценообразование

Наша организация особенно сильна в поставках модулей, микросхем, пассивных компонентов, ксайленсах (XC), EPF, EPM и силовой электроники.

Большой выбор предлагаемой продукции, различные виды оплаты и доставки, позволят Вам сэкономить время и получить максимум выгоды от сотрудничества с нами!

## Перечень производителей, продукцию которых мы поставляем на российский рынок



С удовольствием будем прорабатывать для Вас поставки всех необходимых компонентов по текущим запросам для скорейшего выявления групп элементов, по которым сотрудничество именно с нашей компанией будет для Вас максимально выгодным!

С уважением,

Менеджер отдела продаж ООО

«Трейд Электроникс»

Шишлаков Евгений

8 (495)668-30-28 доб 169

manager28@tradeelectronics.ru

<http://www.tradeelectronics.ru/>