



DESCRIPTION

PT2260 is a remote control encoder paired with either PT2270 or PT2272 utilizing CMOS Technology. It encodes data and address pins into a serial coded waveform suitable for RF modulation. PT2260 has a maximum of 10 bits tri-state address pins providing up to 59,049 (or 3^{10}) address codes; thereby, drastically reducing any code collision and unauthorized code scanning possibilities.

PT2260 is one of the first generation of Encoder/Decoder ICs that utilizes the unique PTC Technology. When paired with PT2270, this encoder/decoder (PT2260/PT2270) pair can operate at very wide temperature range (see Features). Thus, this very important feature enables your Encoder/Decoder to operate under the worst environmental condition.

FEATURES

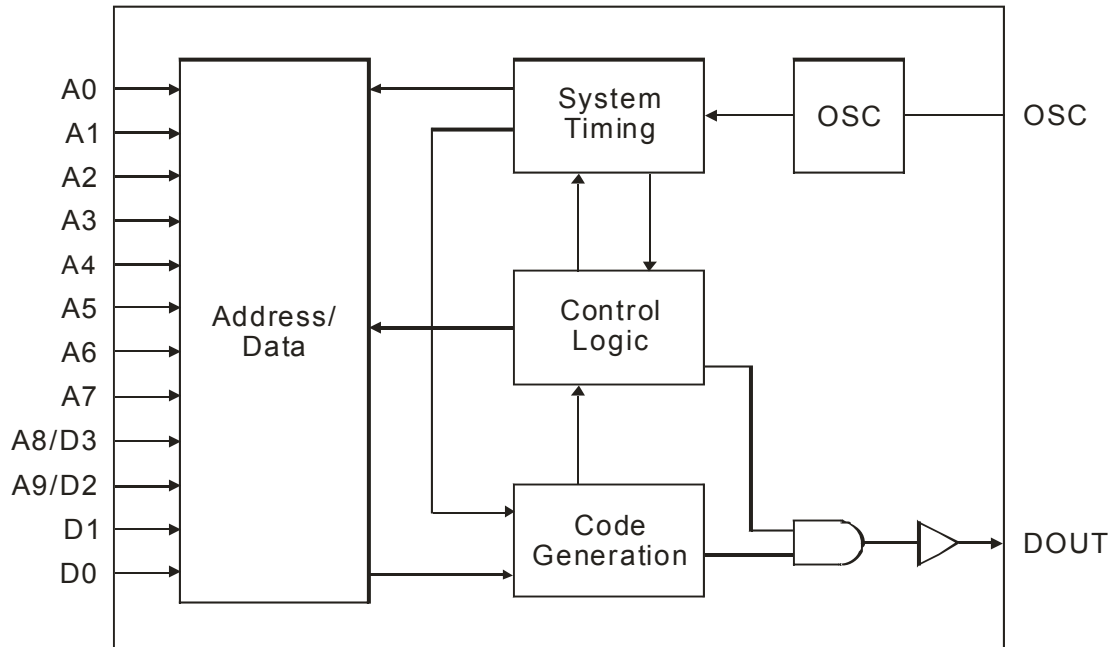
- High performance CMOS technology
- Low power consumption
- Very high noise immunity
- Wide operating temperature range: $-40^{\circ}\text{C} \sim 85^{\circ}\text{C}$
- 8 or 10 Tri-State code address pins
- 2 or 4 data pins
- Wider range of operating voltage: 1.8 ~ 10.0V
- Single resistor oscillator
- Least external components

APPLICATIONS

- Home/Car security system
- Garage door controller
- Remote fan controller
- Remote control toys

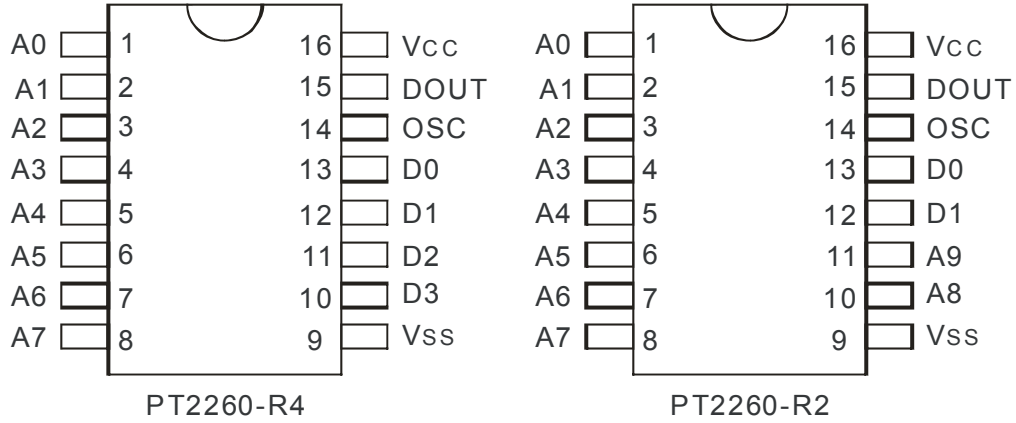


BLOCK DIAGRAM





PIN CONFIGURATION





PIN CONFIGURATION

| Pin Name | I/O | Description | Pin No. |
|---------------|-------|---|---------|
| A0 ~ A7 | I | Code Address Pin Nos. 0 ~ 7 These eight tri-state pins are detected by PT2260 to determine the encoded waveform bit 0 ~ bit 7. Each bit can be set to "0", "1", or "f" (floating). | 1 ~ 8 |
| A8/D3 ~ A9/D2 | I/PL* | Code Address Pin No. 8 ~ 9/Data Pin No. 3 ~ 2. These two tri-state pins are detected by PT2260 to determine the encoded waveform bit 8 ~ bit 9. When these pins are used as address pins (as in PT2260-R2), they can be set to "0", "1", or "f" (floating). When these pins are used as data pins (as in PT2260-R4), they can only be set to "0" or "1". | 10 ~ 11 |
| D1, D0 | I/PL | Data Pin No. 1/0. These pins can only be set to "0" or "1" | 12, 13 |
| OSC | I | Oscillator Pin A resistor connected between the Osc Pin and the Vcc determines the fundamental frequency of the PT2260 | 14 |
| DOUT | O | Data Output Pin. The encoded waveform is serially outputted to this pin. When PT2260 is not transmitting, DOUT outputs low (Vss) voltage | 15 |
| Vcc | | Positive Power Supply | 16 |
| Vss | | Negative Power Supply | 9 |

Note:

PL -- Pull-low Resistor is connected internally

PL* -- If those two pins are used as Data Pins (PT2260-R2), pull-low resistor is connected internally; otherwise, no pull-low resistor is connected.



FUNCTION DESCRIPTION

PT2260 encodes the code address and data set at A0 ~ A7, A8/D3, A9/D2, D1 and D0 into a special waveform and outputs it to the DOOUT when any of the data pins is tied to high. This waveform is fed to the RF modulator for transmission. The transmitted radio frequency is received by the RF demodulator and reshaped into the special waveform. PT2270 (or PT2272) is then used to decode the waveform and set the corresponding output pin(s). Thus completing a remote control encoding and decoding function.

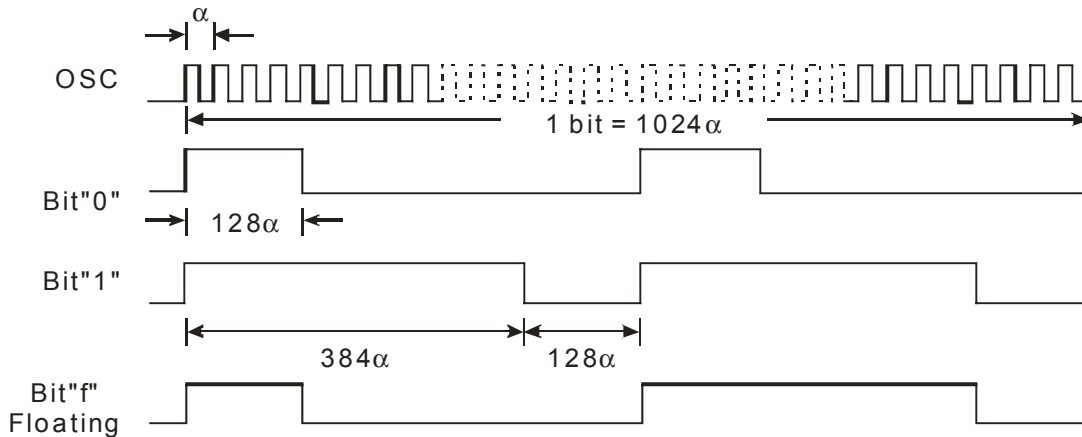
RF OPERATION

CODE BITS

A Code Bit is the basic component of the encoded waveform, and can be classified as either an AD (Address/Data) Bit or a SYNC (Synchronous) Bit.

Address/Data (AD) Bit Waveform

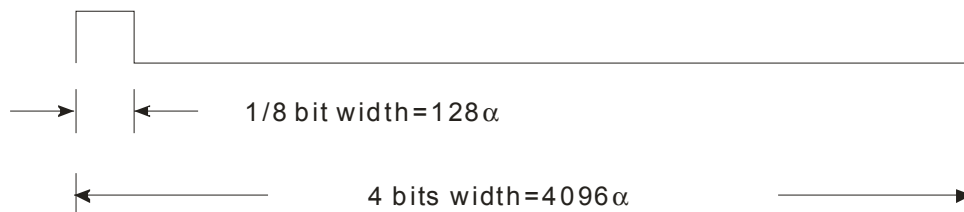
An AD Bit can be designated as Bit "0", "1", or "f" if it is in low, high or floating state respectively. One bit waveform consists of 2 pulse cycles. Each pulse cycle has 512 oscillating clock periods. For further details, please refer to the diagram below:



where: α =Oscillating Clock Period

Synchronous (Sync.) Bit Waveform

The Synchronous Bit Waveform is 4 bits long with 1/8 bit width pulse. Please refer to the diagram below:



Note: 1 bit= 1024α



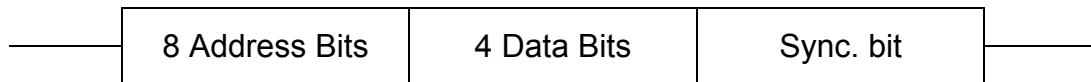
Remote Control Encoder

PT2260

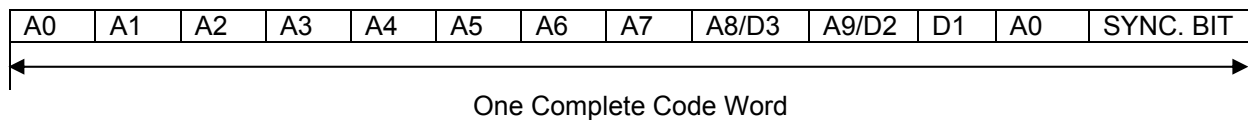
CODE WORD

A group of Code Bits is called a Code Word. A Code Word consists of 12 AD bits followed by one Sync. Bit. The 12 AD bits are determined by the corresponding states of A0 ~ A7, A8/D3, A9/D2, D1 and D0 pins at the time of transmission. When the Data Type of PT2260 is used, the address bits will decrease accordingly.

For example: In the 4-Data Type where the address has eight (8) bits, the transmitting format is:



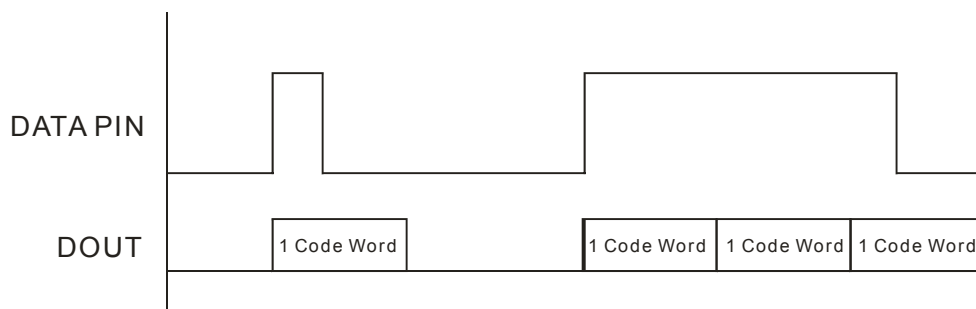
PT2260 has a maximum of ten (10) Address Bits. The following diagram shows the code bits with their corresponding pins.



- 2 Data: A0 A1 A2 A3 A4 A5 A6 A7 A8 A9 D1 D0 Sync Bit
- 4 Data: A0 A1 A2 A3 A4 A5 A6 A7 D3 D2 D1 D0 Sync Bit

The Code Bits A0 ~ A7, A8/D3, A9/D2, D1 and D0 are determined by the states set at these pins. For example, when the A0 (Pin No.1) is set to "1" (Vcc), the Code Bit A0 is synthesized as "1" bit. In the same manner, when it (A0 Pin) is set to "0" (Vss) or left floating, the Code Bit A0 is synthesized as a "0" or "f" bit respectively.

When PT2260 detects "1" on any of the Data pins, it outputs a Code Word at DOUT. If the Data Pin is still in high state ("1") the time the Code Word transmission ends, PT2260 outputs the same Code Word. Please refer to the diagram below:





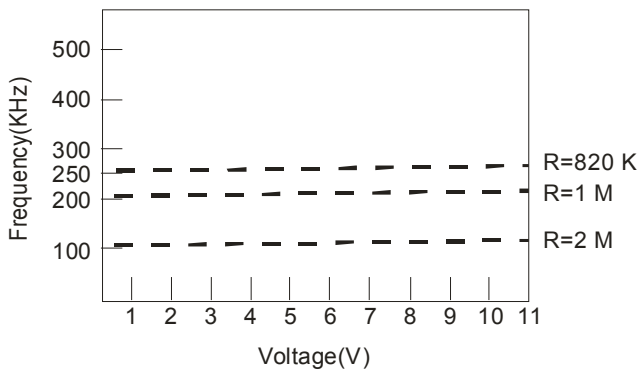
Remote Control Encoder

PT2260

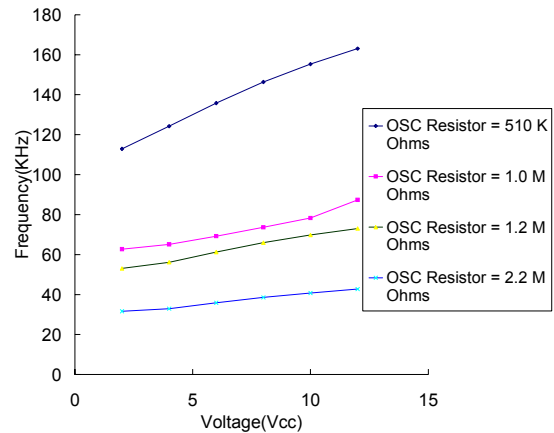
SINGLE OSCILLATOR

The built-in oscillator circuitry of PT2260 allows a precision oscillator to be constructed by connecting an external resistor between OSC and Vcc pins. For PT2270 (or PT2272) to decode correctly the received waveform, the oscillator frequency of PT2270 (or PT2272) must be 1/16 ~ 4 (or 1/16 ~ 1/4) times that of the transmitting PT2260. The typical oscillator frequency with various resistor values for PT2260, PT2270, and PT2272 are shown below:

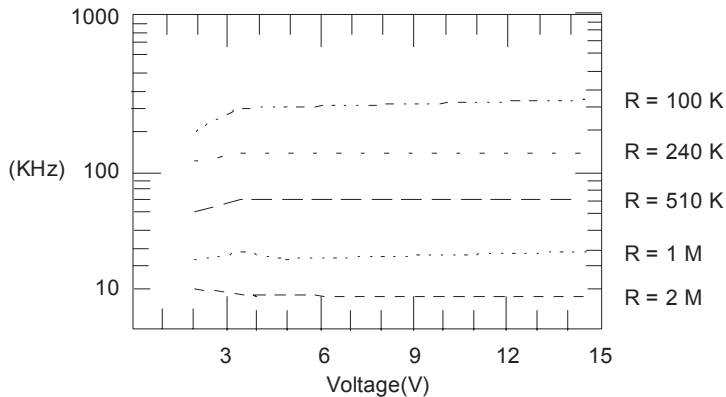
Encoder (PT2260) OSC Frequency



Decoder (PT2270) OSC Frequency



Decoder (PT2272) OSC Frequency

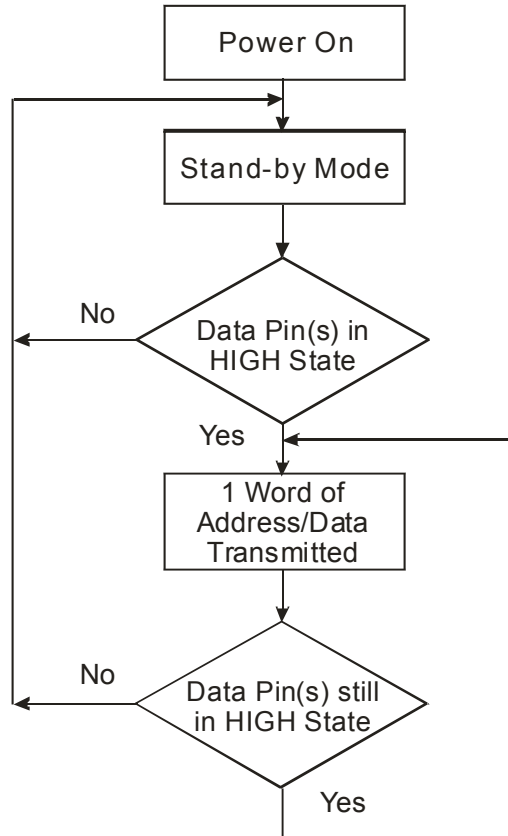


Suggested Oscillator resistor values are shown below.

| PT2260 | PT2272 | PT2270 |
|--------|--------|--------|
| 820KΩ | 510KΩ | 1MΩ |
| 1MΩ | 620KΩ | 1.2MΩ |
| 2MΩ | 1.2MΩ | 2.2MΩ |



OPERATION FLOWCHART





ABSOLUTE MAXIMUM RATINGS

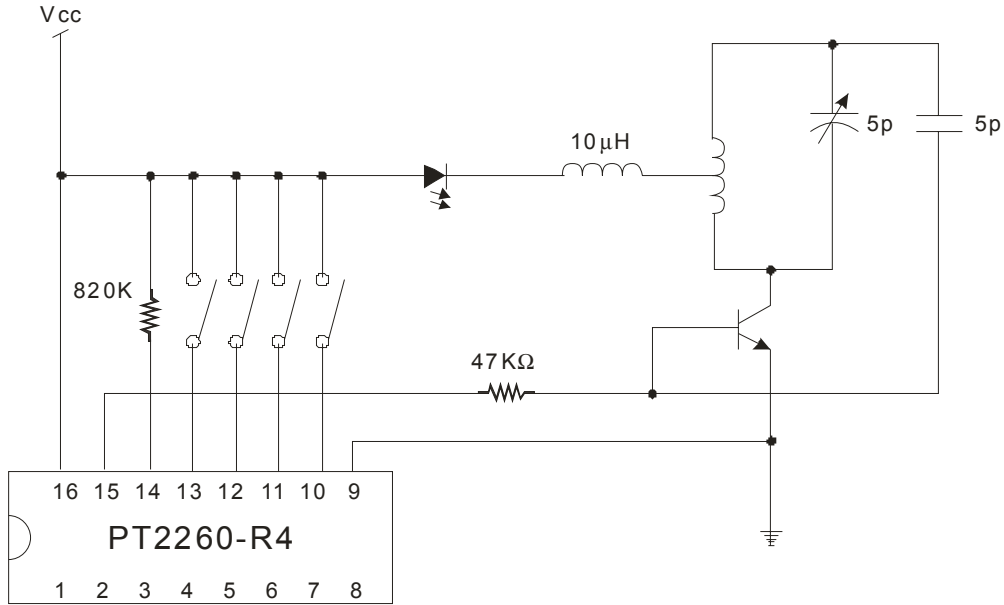
| Parameter | Symbol | Conditions | Ratings | Unit |
|---------------------------|------------------|----------------------|-----------------------------|------|
| Supply voltage | V _{cc} | | -0.3 ~ 10.0 | V |
| Input voltage | V _I | | -0.3 ~ V _{cc} +0.3 | V |
| Output voltage | V _O | | -0.3 ~ V _{cc} +0.3 | V |
| Maximum power dissipation | P _a | V _{cc} =10V | 500 | mW |
| Operating temperature | T _{opr} | | -40 ~ +85 | °C |
| Storage temperature | T _{stg} | | -65 ~ +150 | °C |

DC ELECTRICAL CHARACTERISTICS

| Parameter | Symbol | Test Conditions | Min. | Typ. | Max. | Unit |
|-----------------------------|-----------------|--|----------------------|------|------|------|
| Supply voltage | V _{cc} | | 1.8 | | 10 | V |
| Stand-by current | I _{sb} | V _{cc} =5V, OSC stops All input pins open | 0.2 | 0.5 | 0.8 | μA |
| DOUT output driving current | I _{OH} | V _{cc} =3V, V _{OH} =1.5V V _{cc} =10V, V _{OH} =5 V | 2.5 20 | | | mA |
| DOUT output sinking current | I _{OL} | V _{cc} =3V, V _{OL} =1.5V V _{cc} =10V, V _{OL} =5V | 4.6 24 | | | mA |
| Operation current | I _{op} | V _{cc} =1.8V V _{cc} =6.0V V _{cc} =10V | 0.01 0.50 1.60 | | | mA |



APPLICATION CIRCUIT



UHF Band 4-Data Transmitter Circuit is recommended.



ORDER INFORMATION

| Valid Part Number | Package Type | Top Code |
|-------------------|----------------------|------------|
| PT2260-D | 16 Pins, DIP, 300mil | PT2260-D |
| PT2260-R2 | 16 Pins, DIP, 300mil | PT2260-R2 |
| PT2260-R4 | 16 Pins, DIP, 300mil | PT2260-R4 |
| PT2260-R2S | 16 Pins, SOP, 150mil | PT2260-R2S |
| PT2260-R4S | 16 Pins, SOP, 150mil | PT2260-R4S |

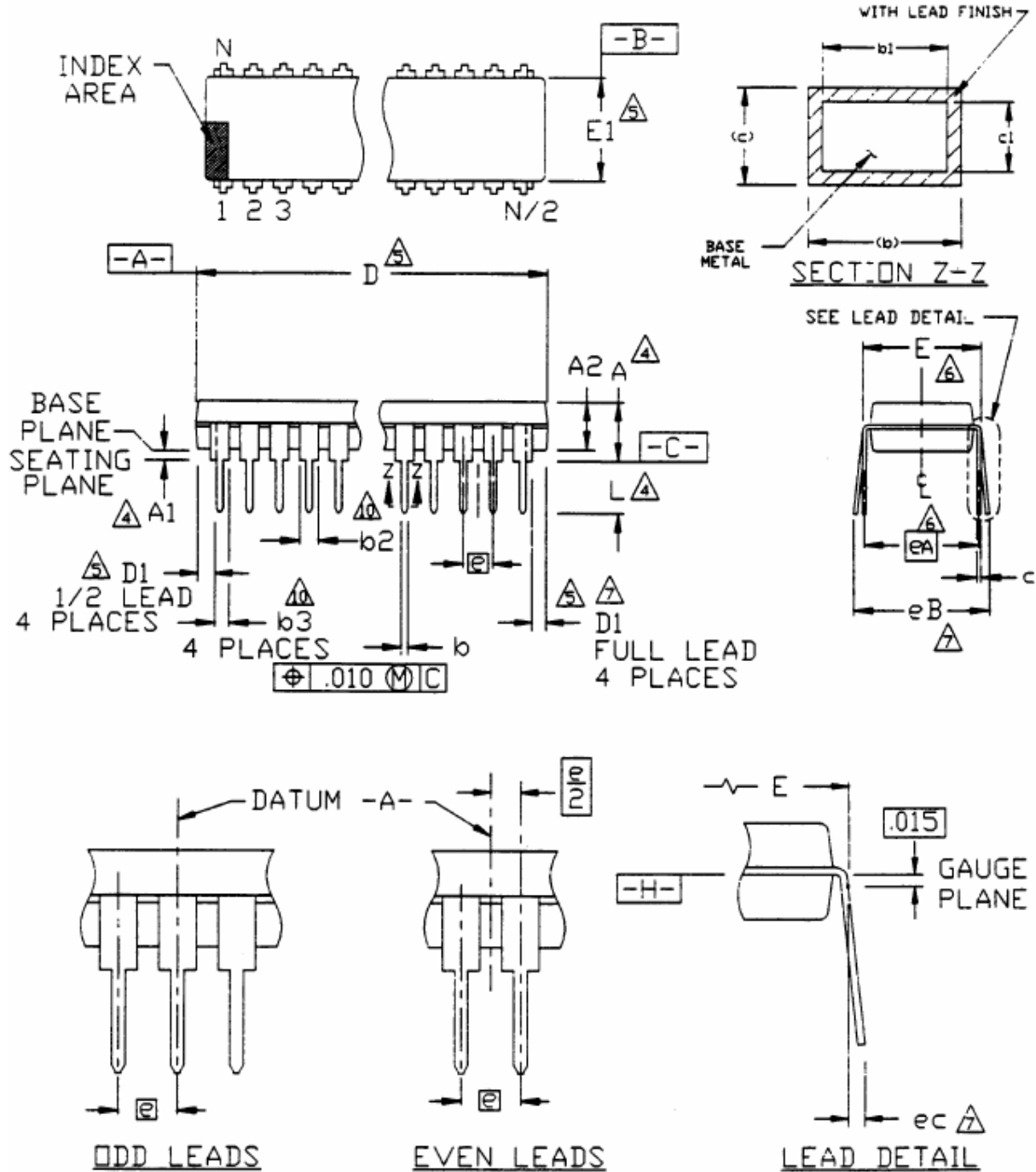
Notes:

1. R: RF Application.
2. 2: 2 Data Pins; 4: 4 Data Pins.



PACKAGE INFORMATION

16 PINS, DIP, 300MIL





| Symbol | Min. | Nom. | Max. |
|--------|------------|-------|-------|
| A | - | - | 0.210 |
| A1 | 0.015 | - | - |
| A2 | 0.115 | 0.130 | 0.195 |
| b | 0.014 | 0.018 | 0.022 |
| b1 | 0.014 | 0.018 | 0.020 |
| b2 | 0.045 | 0.060 | 0.070 |
| b3 | 0.030 | 0.039 | 0.045 |
| c | 0.008 | 0.010 | 0.014 |
| c1 | 0.008 | 0.010 | 0.011 |
| D | 0.780 | 0.790 | 0.800 |
| D1 | 0.005 | - | - |
| E | 0.300 | 0.310 | 0.325 |
| E1 | 0.240 | 0.250 | 0.280 |
| e | 0.100 BSC. | | |
| eA | 0.300 BSC. | | |
| eB | - | - | 0.430 |
| eC | 0.000 | - | 0.060 |
| L | 0.115 | 0.130 | 0.150 |

Notes:

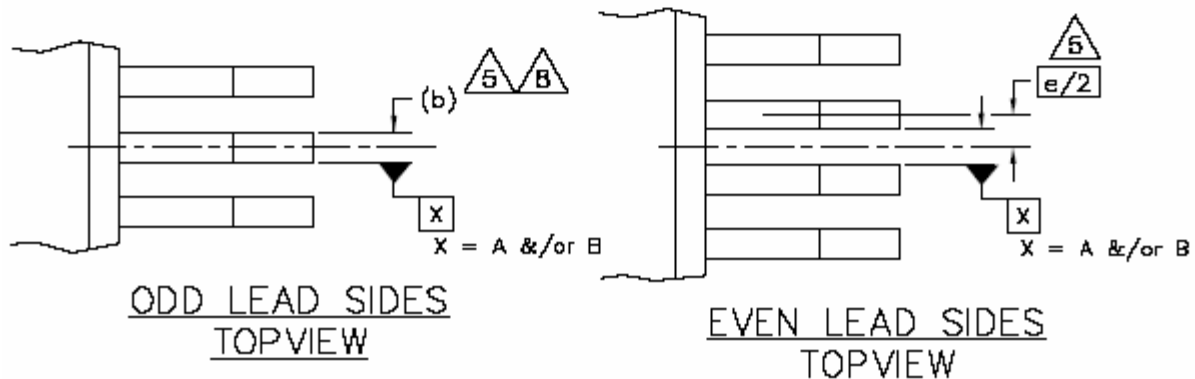
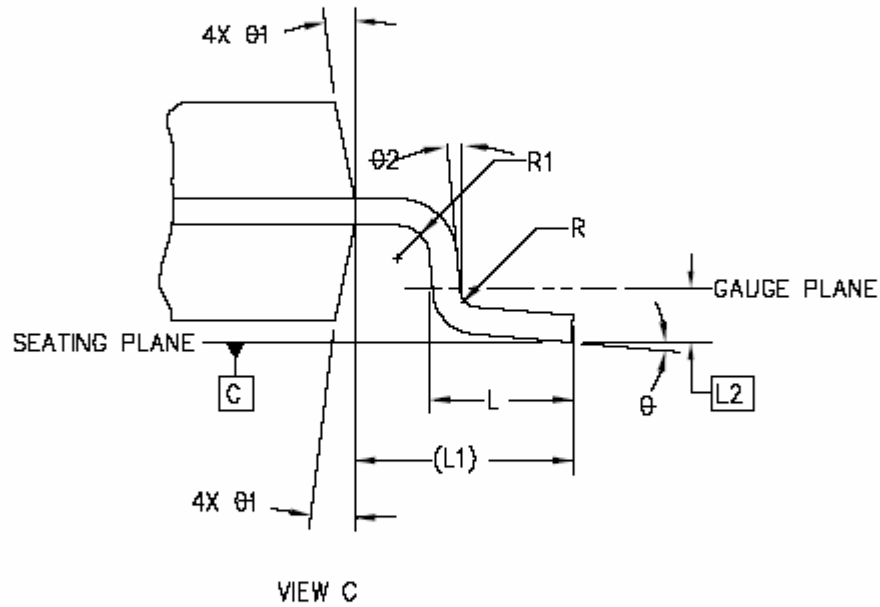
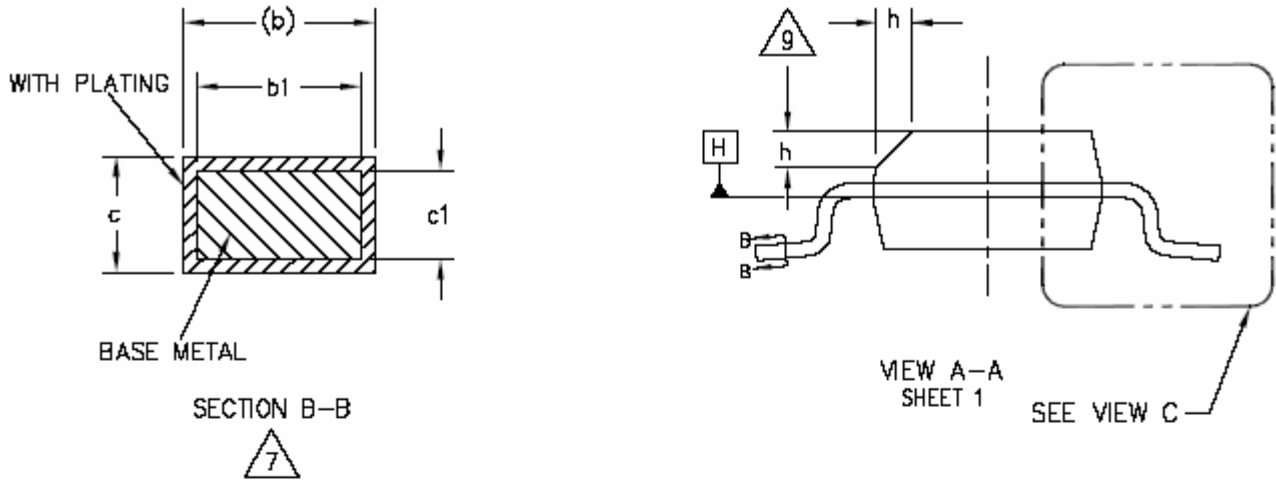
- All dimensions are in INCHES.
- Dimensioning and tolerancing per ANSI Y14.5M-1982.
- Dimensions "A", "A1" and "L" are measured with the package seated in JEDEC Seating Plane Gauge GS-3.
- "D", "D1" and "E1" dimensions do not include mold flash or protrusions. Mold flash or protrusions shall not exceed 0.010 inch.
- "E" and "eA" measured with the leads constrained to be perpendicular to datum -c-. "eB" and "eC" are measured at the lead tips with the loads unconstrained.
- "N" is the number of terminal positions. (N=16)
- Pointed or rounded lead tips are preferred to ease insertion.
- "b2" and "b3" maximum dimensions are not include dambar protrusions. Dambar protrusions shall not exceed 0.010 inch (0.25 mm).
- Distance between leads including Dambar protrusions to be 0.005 inch minimum.
- Datum plane -H- coincident with the bottom of lead, where lead exits body.
- Refer to JEDEC MS-001 Variation AB.

JEDEC is the trademark of JEDEC SOLID STATE TECHNOLOGY ASSOCIATION.



Remote Control Encoder

PT2260





| Symbol | Min. | Typ. | Max. |
|------------|-----------|------|------|
| A | 1.35 | - | 1.75 |
| A1 | 0.10 | - | 0.25 |
| A2 | 1.25 | - | 1.65 |
| b | 0.31 | - | 0.51 |
| b1 | 0.28 | - | 0.48 |
| c | 0.17 | - | 0.25 |
| c1 | 0.17 | - | 0.23 |
| D | 9.90 BSC. | | |
| E | 6.00 BSC. | | |
| E1 | 3.90 BSC. | | |
| e | 1.27 BSC. | | |
| L | 0.40 | - | 1.27 |
| L1 | 1.04 REF. | | |
| L2 | 0.25 BSC. | | |
| R | 0.07 | - | - |
| R1 | 0.07 | - | - |
| h | 0.25 | - | 0.50 |
| θ | 0° | - | 8° |
| $\theta 1$ | 5° | - | 15° |
| $\theta 2$ | 0° | - | - |

Notes:

1. Dimensioning and tolerancing per ANSI Y 14.5M-1994
2. Controlling Dimension: MILLIMETERS.
3. Dimension D does not include mold flash protrusions or gate burrs. Mold flash, protrusions or gate burrs shall not exceed 0.15 mm (0.006 in) per end. Dimension E1 does not include interlead flash or protrusion. Interlead flash or protrusion shall not exceed 0.25mm per side. D and E1 dimensions are determined at datum H.
4. The package top may be smaller than the package bottom. Dimensions D and E1 are determined at the outermost extremes of the plastic body exclusive of mold flash, tie bar burrs, gate burrs and interlead flash, but including any mismatch between the top and bottom of the plastic body.
5. Datums A & B to be determined at datum H.
6. N is the number of terminal positions. (N=16)
7. The dimensions apply to the flat section of the lead between 0.10 to 0.25mm from the lead tip.
8. Dimension "b" does not include dambar protrusion. Allowable dambar protrusion shall be 0.10mm total in excess of the "b" dimension at maximum material condition. The dambar cannot be located on the lower radius of the foot.
9. This chamfer feature is optional. If it is not present, then a pin 1 identifier must be located within the index area indicated.
10. Refer to JEDEC MS-012, Variation AC.
JEDEC is the registered trademark of JEDEC SOLID STATE TECHNOLOGY ASSOCIATION.

О компании

ООО "ТрейдЭлектроникс" - это оперативные поставки широкого спектра электронных компонентов отечественного и импортного производства напрямую от производителей и с крупнейших мировых складов. Реализуемая нашей компанией продукция насчитывает более полумиллиона наименований.

Благодаря этому наша компания предлагает к поставке практически не ограниченный ассортимент компонентов как оптовыми, мелкооптовыми партиями, так и в розницу.

Наличие собственной эффективной системы логистики обеспечивает надежную поставку продукции по конкурентным ценам в точно указанные сроки.

Срок поставки со стоков в **Европе и Америке – от 3 до 14 дней.**

Срок поставки из **Азии – от 10 дней.**

Благодаря развитой сети поставщиков, помогаем в поиске и приобретении экзотичных или снятых с производства компонентов.

Предоставляем спец цены на элементы для создания инженерных сэмплов.

Упорный труд, качественный результат дают нам право быть уверенными в себе и надежными для наших клиентов.

Наша компания это:

- Гарантия качества поставляемой продукции
- Широкий ассортимент
- Минимальные сроки поставок
- Техническая поддержка
- Подбор комплектации
- Индивидуальный подход
- Гибкое ценообразование

Наша организация особенно сильна в поставках модулей, микросхем, пассивных компонентов, ксайленсах (XC), EPF, EPM и силовой электроники.

Большой выбор предлагаемой продукции, различные виды оплаты и доставки, позволят Вам сэкономить время и получить максимум выгоды от сотрудничества с нами!

Перечень производителей, продукцию которых мы поставляем на российский рынок



С удовольствием будем прорабатывать для Вас поставки всех необходимых компонентов по текущим запросам для скорейшего выявления групп элементов, по которым сотрудничество именно с нашей компанией будет для Вас максимально выгодным!

С уважением,

Менеджер отдела продаж ООО

«Трейд Электроникс»

Шишлаков Евгений

8 (495)668-30-28 доб 169

manager28@tradeelectronics.ru

<http://www.tradeelectronics.ru/>