



## User's Guide EVD1000 Developer's Kit – Analog

### Introduction

EVD makes available to its customers various platforms to aid in easy evaluation of the video enhancement capabilities of the EVD1000 series chips, and to prepare for straightforward integration into the customer's own systems. These platforms consist in general of the following elements:

- Video input stage
- EVD1000 series enhancement stage
- Video output stage
- User interface controlling basic features
- USB connectivity for access to advanced features

The present document is applicable to EVD's analog Technology Demonstrator board, designed for operation with standard NTSC/PAL analog video signals. This document contains instructions necessary to get the hardware up and running and begin processing video using the basic user interface, and provides a framework and jumping-off point for integration efforts. As noted herein below, other documents are available which cover advanced features in more detail (some under mutual Non-Disclosure Agreement); please consult the factory for additional information as required.

When beginning to evaluate the EVD1000 series chips using our Technology Demonstrator boards, it is very important to observe three points:

1. Analog-based Demonstrators necessarily contain A/D and D/A converters. Although we go to great lengths to minimize such, these converters inherently introduce artifacts during the conversion processes, some of which may be visible in the output video. These artifacts are not part of the enhancement process.
2. The Demonstrators contain three parameter presets that allow easy access to three levels of enhancement. Since nearly every application is unique and therefore may require its own set of enhancement parameters, it is quite possible that none of the three presets perfectly suits your particular needs. The Advanced Feature interface permits the user to tune parameters to individual needs and to save these parameter sets as custom presets on the board for standalone use.
3. The physical size of Demonstrator circuit boards can be deceiving - some are (much) larger than is required due to a number of reasons; however, the EVD1000 series is a single-chip enhancement solution which is easily integrated into virtually any digital video path. Consult the datasheet and application notes for specifics.



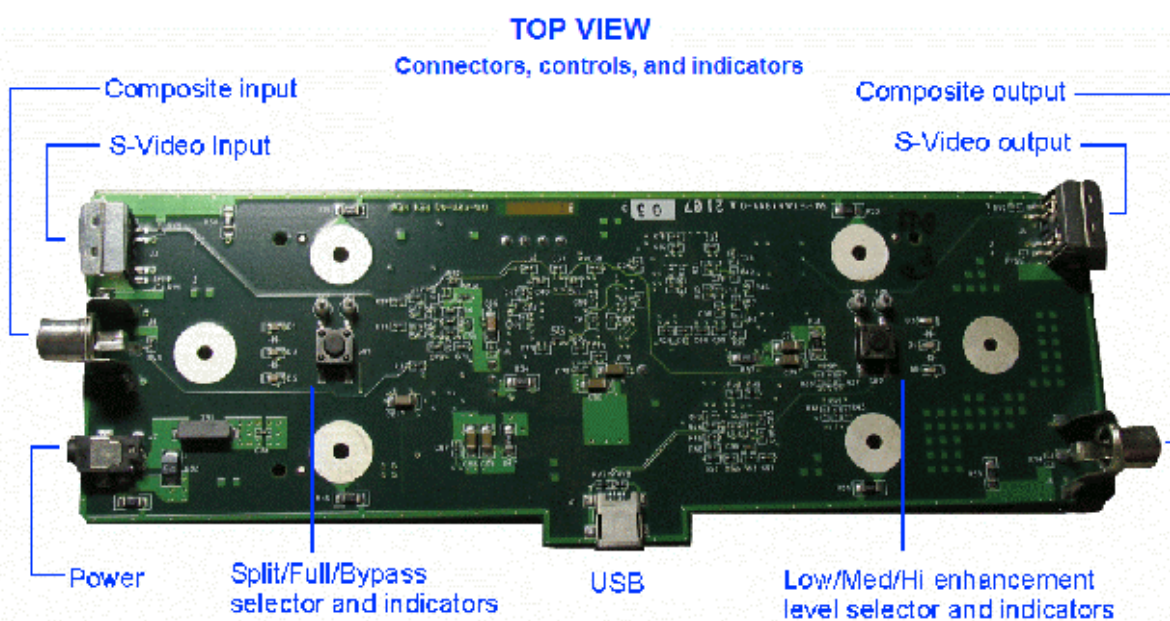
## Developer's Kit Contents

The EVD1000 Developer's Kit – Analog contains the following:

- Circuit board containing EVD1000 enhancement chip; the board is mounted on a Plexiglas plate for stability and ease of handling
- AC Plug-in power supply, provides 5VDC to the board
- This User's Guide

## Circuit Board Layout

The analog Demonstrator circuit board is pictured below. Locations of all video and power connectors are shown, as are the display mode and enhancement level controls and indicators.



## Connections

The EVD analog Demonstrator supports analog NTSC video in both composite and S-Video formats.

- Connect your video source to the appropriate input connector,
- connect your video display to the appropriate output connector, and
- connect the power supply cord to the power connector, and plug the AC adapter into a wall outlet.

Note that if you use the Demonstrator board as a format converter (e.g. composite IN, S-Video OUT), there is a possibility of very slight mis-calibration of the resulting signal (usually not visible on a typical monitor).

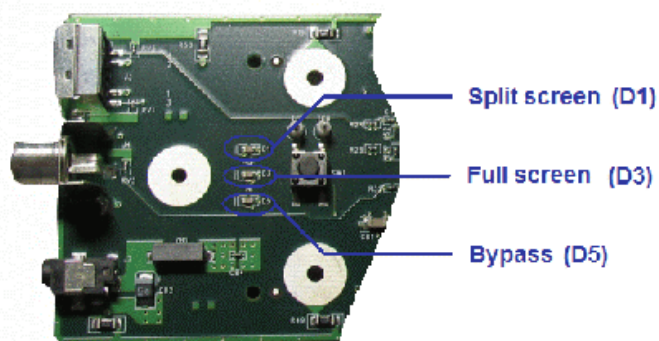
## Operation

Upon application of power and valid input video, the Demonstrator will first flash all indicators in sequence for approximately two seconds. It will then indicate the detected input video format (if any) by flashing all indicators together as follows:

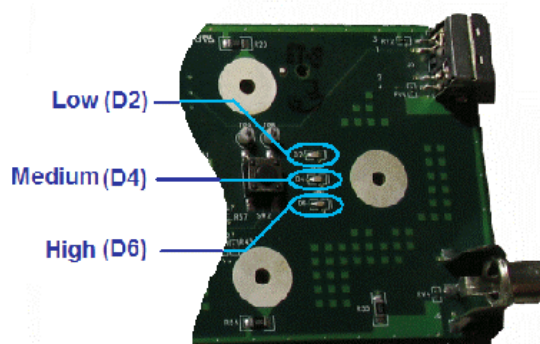
S-Video: two times, or  
Composite video: three times.

Following this action, the hardware will begin processing video per the current settings, and update the indicators as shown in the figures below:

**Display Mode Indicators**



**Enhancement Level Indicators**



If at any time the hardware detects no video or invalid video sync at both input connectors, it will for a period of approximately 30 seconds:

- flash the Full Screen display mode indicator, and
- emit a flat blue field video signal at both output connectors.

Following this period, if there remains no valid video at the inputs, the unit will enter “sleep” mode, in which all indicators are OFF and the outputs are inactive.

If at any time valid video is applied to either input connector, the unit will begin processing as described above.

## On-board User Interface

The basic user interface comprises the following controls and indicators:

Display mode switch SW1,  
Display mode indicators D1, D3, and D5,  
Enhancement level switch SW2, and  
Enhancement level indicators D2, D4, and D6.

Refer to the illustrations above for locations of these items.



## Display Mode

There are three display modes: Full Screen, Split Screen, and Bypass. Pressing the Display Mode switch cycles thru these modes and updates the indicators to show the currently selected mode.

In Full Screen mode, the entire video field is enhanced per the current parameters.

In Split Screen mode, the left half of the video field is left unenhanced (see BYPASS below) while the right half of the video field is enhanced per the current parameters. This allows a convenient method for comparing the effects of enhancement in a side-by-side manner.

In Bypass mode, the enhancement parameters are all set to unity gain such that the data output from the EVD1000 exactly matches the data input to it. Note that in this mode, the enhancement level indicators are OFF; also, note that the data still passes through the input and output conversion stages.

## Preset Enhancement Levels

There are three preset enhancement levels that are selectable on the Demonstrator board: low, medium, and high. Note that these names do not necessarily indicate relative levels, since it is possible to store virtually any combination of enhancement parameters in each of the three preset positions, see below; however, the factory default settings do correspond to general “low,” “medium,” and “high” levels of enhancement. Pressing the Enhancement Level switch cycles thru these presets and updates the indicators to show the currently selected level (unless, as indicated above, the current Display Mode is set to BYPASS).

## Advanced Feature Interface

For further investigation of the EVD1000 series capabilities, including the numerous enhancement parameters which control the detailed characteristics of the processing performed, the registers in the EVD1000 on the Demonstrator board can be accessed directly via an external PC connected to the board by means of a standard USB cable. EVD provides VideoTuner, a Windows®-based (Windows 2000, XP, and Vista) application for this purpose. The latest version can be downloaded from EVD on the web. Installation is generally straightforward and performed in the usual manner. Detailed installation instructions for this application can also be found in a separate Application Note.

The EVD application contains the ability to control each of the registers in the EVD1000 series chips using on-screen sliders. A panel is provided which, by default, contains sliders for several of the parameters which we have found most often adjusted in customizing the chip's performance to specific applications and in tailoring the enhancement to suit a particular customer's image processing preferences. The user can create custom sets of such sliders, as well as initial values for those parameters, and save and restore these using the local PC hard drive. An Application Note describing the use of this application in accessing these and other advanced operational features is available, as well as the EVD1000/1500 data sheet which discusses the available parameters.

Advanced users can also write their own software to control the setting of EVD1000 series parameters on the Demonstrator board; commanding protocol information is available from the factory. This can be done, for example, as a precursor to the user-developed software running in a microprocessor on a customer's board designed for a specific application.

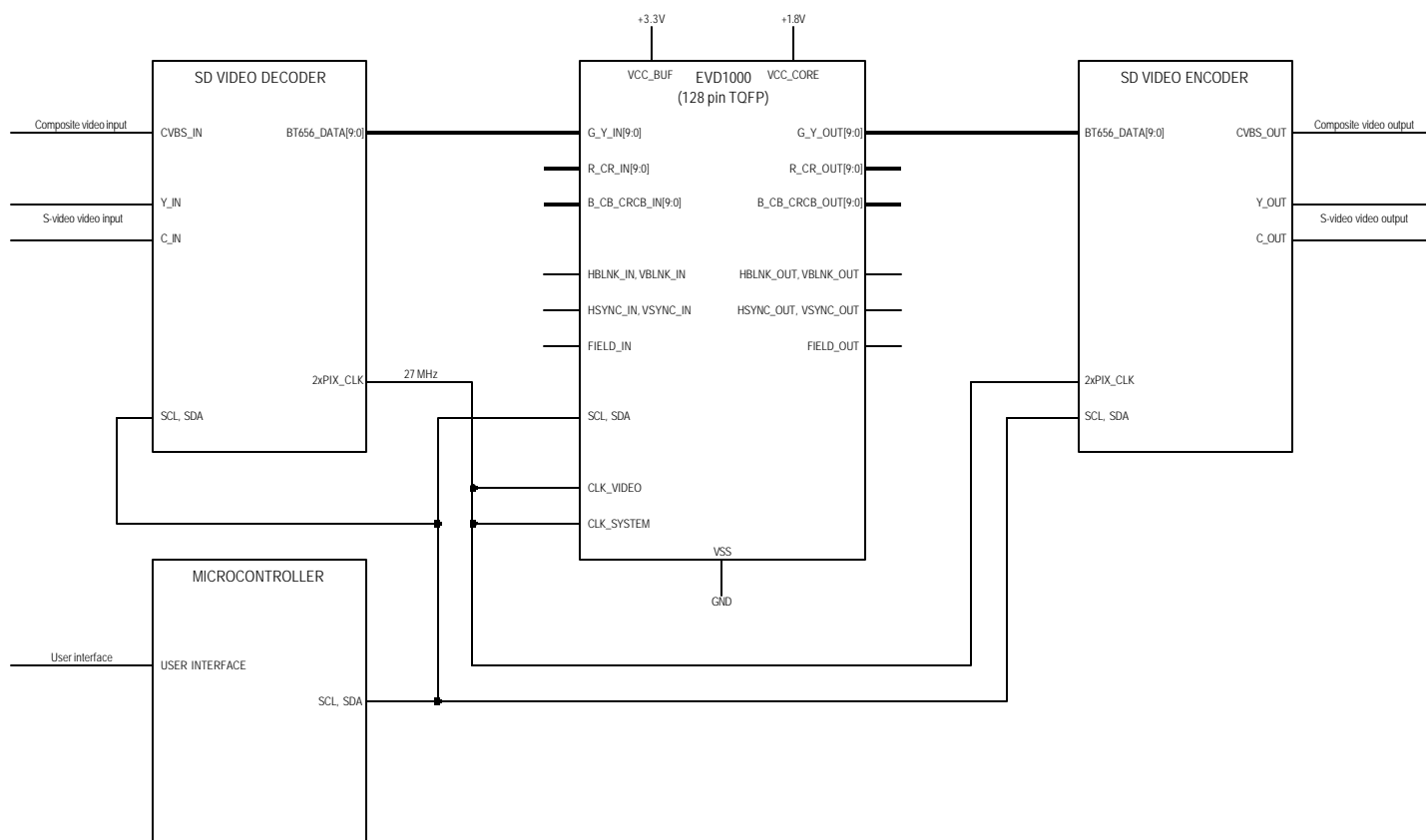


## User-customizable Presets

The EVD application also includes a mechanism whereby parameter settings as defined on the slider panel may be stored into the three presets on the Demonstrator board, for later use with the board in stand-alone mode (without USB connection). This allows a customer to configure the board with enhancement capability of their own choosing, tailored for a specific application, and then, for example, send it out for operation in the field in compact form without the need for additional ancillary equipment. The customizable preset capability on the Demonstrator boards can also be accessed directly via the USB interface. The use of these features is also described in detail in an additional Application Note.

## Circuit Implementation

The block diagram below is representative of the Demonstrator board, and also provides a simple example application for use in an existing analog camera chain, e.g. as an add-on for a security video system. It shows all of the possible major commonly used inputs/outputs of the EVD1000, but highlights the very simple basic connections required for operation in this mode.



Here, video input and output for the EVD1000 is shown as ITU-R BT.656 digital data with embedded SAV and EAV codes (hence the use of blanking/sync inputs/outputs are not required). The standard video decoder and encoder handle the conversion to/from analog video signals which are in this case external to the board. Note that in this mode, the video data clock for all components on the board (as derived from the analog sync information by the video decoder) runs at 27 MHz (twice the pixel rate), as luminance and chrominance values alternate in the digital data stream for Bt656 format. As can be seen from the diagram, this is a particularly simple and easy-to-implement connection





scheme, although the use of the EVD1000 with other data formats and synchronization structures is of course possible as well, with not much greater complexity required.

In the present case, the EVD1000 is controlled via an industry-standard two-wire serial configuration bus (SCL, SDA), along with the video decoder and encoder. Power-up initialization, mode selection, and all enhancement parameter selection is accomplished using this mechanism. The microcontroller also handles the simple example user interface in this design.

As described in an Application Note (and the data sheet), it is possible to operate the EVD1000 without a microcontroller for an even simpler circuit design, through the use of suitably chosen dedicated EVD1000 pins, pull-up resistors, etc. for mode and format control and basic enhancement level selection. But in any applications (such as this example) which already include a microcontroller with serial configuration bus capability for other purposes in the customer's system design, complete control over all of the enhancement modes, parameter registers, and other advanced features is readily available with no additional components or hardware effort.

A more detailed schematic for the analog Demonstrator board is also available from EVD. The presently shown application and a number of other connection methods are described in more detail in a series of Application Notes as well as in the data sheet.

## Conclusion

As can be seen, circuit implementation for integration of the EVD1000 series chips in a customer design is very straightforward. Familiarization with the operation and selection of enhancement parameters for various applications is facilitated by the use of the Demonstrator board, and software development can occur in parallel to customer board design and construction. Numerous application and design aids are available from EVD to help guide all phases of the process.

For further questions or clarifications, contact your sales representative or the factory for additional support.

Enhanced Video Devices, Inc.  
9830 Summers Ridge Road  
San Diego, CA 92121  
858-530-0100

[www.enhancedvideodevices.com](http://www.enhancedvideodevices.com)

Copyright © 2009 Enhanced Video Devices, Inc. (EVD). All rights reserved. The information contained herein is subject to change without notice in order to improve design and/or performance. EVD products are protected under numerous U.S. and foreign patents and pending applications, maskwork rights, and copyrights. EVD assumes no responsibility or liability for the use of any of its information, products, or services, and conveys no license or title under any patent, copyright, or mask work right to its products, unless otherwise expressly specified and agreed in writing. Furthermore, EVD's products are not designed for use as critical components in life support, life saving, critical control or safety applications where a malfunction or failure may reasonably be expected to result in significant injury or harm. The inclusion of EVD products in such applications implies that the manufacturer assumes all risk of such use and in doing so fully indemnifies EVD against all damages resulting from such application. Any applications that are described herein are for illustrative purposes only.

## **О компании**

ООО "ТрейдЭлектроникс" - это оперативные поставки широкого спектра электронных компонентов отечественного и импортного производства напрямую от производителей и с крупнейших мировых складов. Реализуемая нашей компанией продукция насчитывает более полумиллиона наименований.

Благодаря этому наша компания предлагает к поставке практически не ограниченный ассортимент компонентов как оптовыми, мелкооптовыми партиями, так и в розницу.

Наличие собственной эффективной системы логистики обеспечивает надежную поставку продукции по конкурентным ценам в точно указанные сроки.

Срок поставки со стоков в **Европе и Америке – от 3 до 14 дней.**

Срок поставки из **Азии – от 10 дней.**

Благодаря развитой сети поставщиков, помогаем в поиске и приобретении экзотичных или снятых с производства компонентов.

Предоставляем спец цены на элементы для создания инженерных сэмплов.

**Упорный труд, качественный результат дают нам право быть уверенными в себе и надежными для наших клиентов.**

### **Наша компания это:**

- Гарантия качества поставляемой продукции
- Широкий ассортимент
- Минимальные сроки поставок
- Техническая поддержка
- Подбор комплектации
- Индивидуальный подход
- Гибкое ценообразование

Наша организация особенно сильна в поставках модулей, микросхем, пассивных компонентов, ксайленсах (XC), EPF, EPM и силовой электроники.

Большой выбор предлагаемой продукции, различные виды оплаты и доставки, позволят Вам сэкономить время и получить максимум выгоды от сотрудничества с нами!

## Перечень производителей, продукцию которых мы поставляем на российский рынок





С удовольствием будем прорабатывать для Вас поставки всех необходимых компонентов по текущим запросам для скорейшего выявления групп элементов, по которым сотрудничество именно с нашей компанией будет для Вас максимально выгодным!

С уважением,

Менеджер отдела продаж ООО

«Трейд Электроникс»

Шишлаков Евгений

8 (495)668-30-28 доб 169

manager28@tradeelectronics.ru

<http://www.tradeelectronics.ru/>