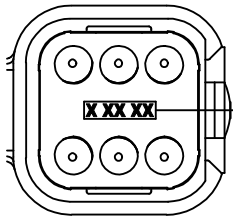
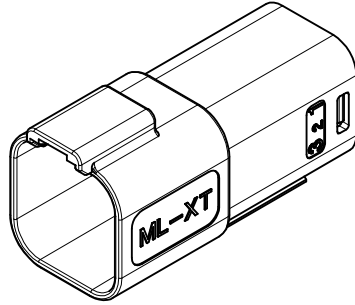
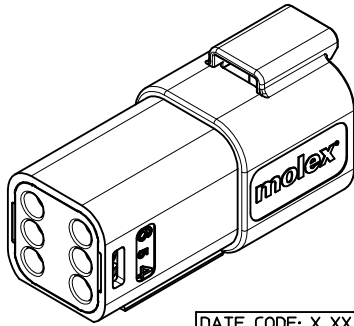


NOTES  
 1. SEE SHEETS 2 TO 7 FOR UNSPECIFIED NOTES, DIMENSIONS AND PART NUMBERS

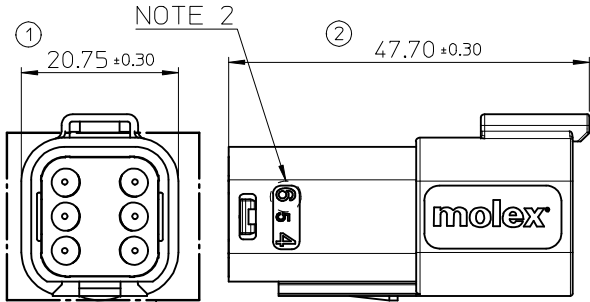
PROPOSED EC NO: IPG2015-1746 DRWN: JFLETCHER 2015/04/07 CHKD: APPR: JWALLACE 2015/07/16 REV	QUALITY SYMBOLS	GENERAL TOLERANCES (UNLESS SPECIFIED)	DIMENSION STYLE	SCALE	DESIGN UNITS	THIRD ANGLE PROJECTION
	$\nabla=0$ $\nabla=0$	mm    INCH 4 PLACES ± --- ± --- 3 PLACES ± --- ± --- 2 PLACES ± 0.10 ± --- 1 PLACE ± 0.20 ± --- 0 PLACE ± --- ± --- ANGULAR ± 2 °	MM ONLY	1.5:1	METRIC	DRAWN BY: JFLETCHER    DATE: 2014/04/23 CHECKED BY:    DATE:
		DRAFT WHERE APPLICABLE MUST REMAIN WITHIN DIMENSIONS	SEE NOTES	TITLE: 6CCT ML-XT CV CONNECTOR		
				APPROVED BY: JWALLACE    DATE: 2014/10/01 MATERIAL NO.    DOCUMENT NO. SD-93443-004    SHEET NO. 1 OF 7		

6CCT RECEPTACLE CONNECTOR



DETAIL 1  
(ROTATED 90°)

DATE CODE: X XX XX  
 X — DAY: 1 - 7  
 X — WEEK: 01 - 52  
 X — YEAR: 00 - 99  
 X —  
 EXAMPLE: 11315 = DAY 1 OF WEEK 13 OF YEAR 15  
 i.e. 23rd OF MARCH 2015



DETAIL 1

NOTES

- MATERIAL  
HOUSING: NYLON 30%GF  
SEAL: HIGH CONSISTENCY RUBBER
  - CIRCUIT IDENTIFICATION
  - JACKET RANGE LARGE =  $\varnothing 2.7\text{MM}$  TO  $3.6\text{MM}$  (SEAL COLOUR: LIGHT BLUE)  
JACKET RANGE SMALL =  $\varnothing 1.4\text{MM}$  TO  $2.7\text{MM}$  (SEAL COLOUR: BURNT ORANGE)
  - SEE SHEET 3 FOR FINAL PART NUMBER DESIGNATION
  - SEE PS-93443-001 FOR PRODUCT SPECIFICATION
  - SEE PK-93443-001 FOR PACKAGING SPECIFICATION
- LAST INSPECTION NUMBER: 5  
 INSPECTION NUMBERS 1-50 RESERVED FOR SHEET 2

SEE SHEET 1  
 EC NO: IPG2015-1746  
 DRWN: JFLETCHER 2015/04/07  
 CHKD:  
 APPR: JWALLACE 2015/07/16

QUALITY SYMBOLS  
 ▽=0  
 ▽=0

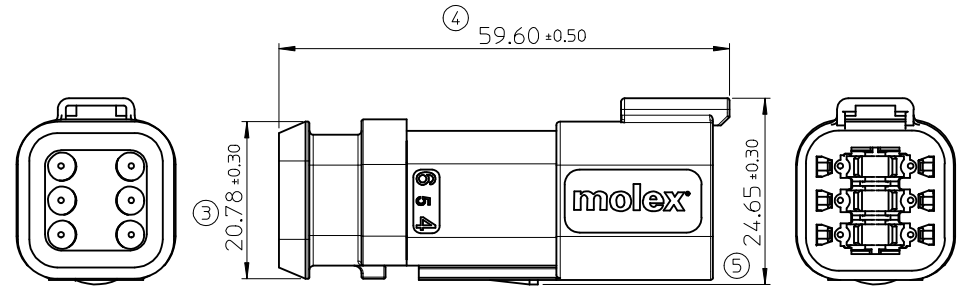
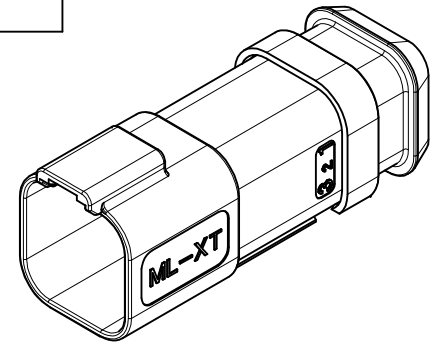
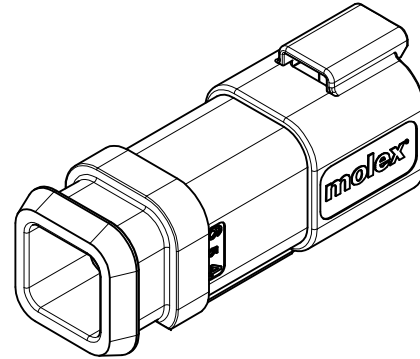
GENERAL TOLERANCES (UNLESS SPECIFIED)	
	mm
4 PLACES	± ---
3 PLACES	± ---
2 PLACES	± 0.10
1 PLACE	± 0.20
0 PLACE	± ---

ANGULAR  $\pm 2^\circ$   
 DRAFT WHERE APPLICABLE  
 MUST REMAIN WITHIN DIMENSIONS

DIMENSION STYLE	
MM ONLY	
DRAWN BY	DATE
JFLETCHER	2014/04/23
CHECKED BY	DATE
APPROVED BY	DATE
JWALLACE	2014/10/01
MATERIAL NO.	

SCALE	DESIGN UNITS	THIRD ANGLE PROJECTION
1.5:1	METRIC	
TITLE 6CCT ML-XT CV CONNECTOR		
DOCUMENT NO. SD-93443-004		SHEET NO. 2 OF 7
THIS DRAWING CONTAINS INFORMATION THAT IS PROPRIETARY TO MOLEX INCORPORATED AND SHOULD NOT BE USED WITHOUT WRITTEN PERMISSION		

6CCT RECEPTACLE CONNECTOR WITH HEATSHRINK HOUSING ULTRASONICALLY WELDED IN PLACE



6CCT RECEPTACLE CONNECTOR

SERIES NO. 93444

CIRCUIT SIZE 4 = 6cct

SERIES NO.

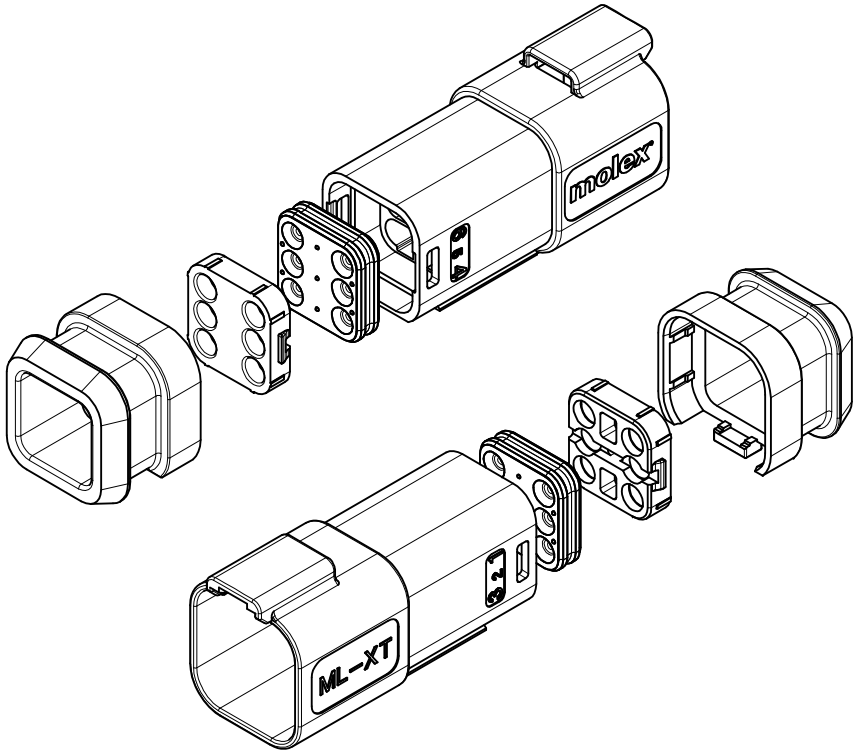
CIRCUIT SIZE  
4 = 6cct

ASSEMBLY OPTIONS

- 1 = RECEP ASSEMBLY FOR WIRE JACKET RANGE:  $\phi$ 1.4mm-2.7mm (NOTE 2)
- 2 = RECEP ASSEMBLY FOR WIRE JACKET RANGE:  $\phi$ 2.7mm-3.6mm (NOTE 2)
- 5 = RECEP ASSEMBLY & HEATSHR FOR WIRE JACKET RANGE:  $\phi$ 1.4mm-2.7mm (NOTE 3)
- 6 = RECEP ASSEMBLY & HEATSHR FOR WIRE JACKET RANGE:  $\phi$ 2.7mm-3.6mm (NOTE 3)

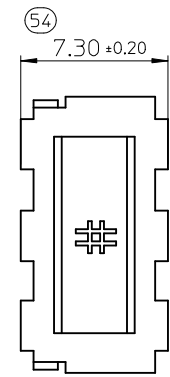
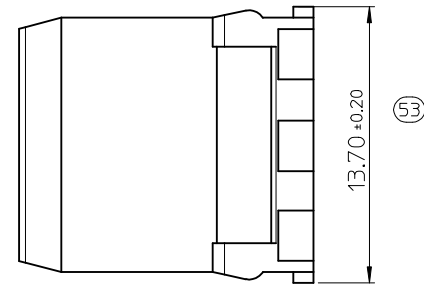
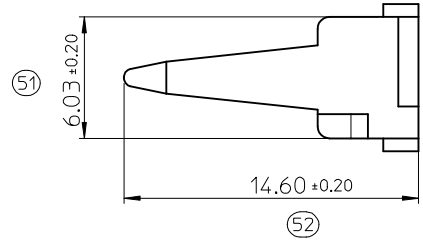
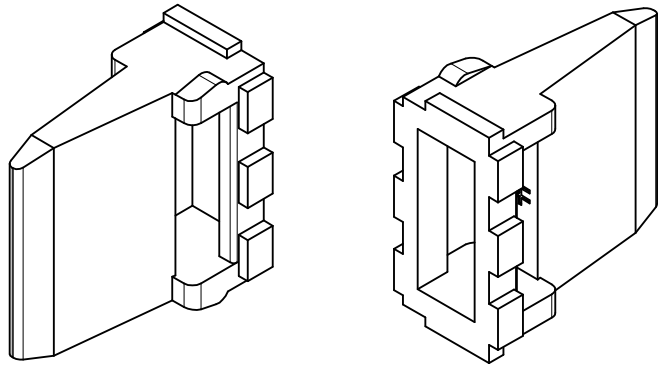
- COLOUR
- 01=BLACK
  - 02=GREY
  - 03=GREEN
  - 04=BLUE
  - 05=YELLOW
  - 06=WHITE
  - 07=BROWN
  - 08=ORANGE
  - 09=RED

EXAMPLE:  
6cct RECEP BLACK WITH LARGE SEAL AND HEATSHRINK 93444-4601



- NOTES
1. SEE SHEET 2 FOR UNSPECIFIED NOTES AND DIMENSIONS
  2. BACK COVER HOUSING COLOUR: BLACK
  3. HEATSHRINK HOUSING COLOUR: BLACK

SEE SHEET 1 EC NO: IPG2015-1746 DRWN: JFLETCHER 2015/04/07 CHKD: APPR: JWALLACE 2015/07/16	QUALITY SYMBOLS	GENERAL TOLERANCES (UNLESS SPECIFIED)	DIMENSION STYLE	SCALE	DESIGN UNITS	THIRD ANGLE PROJECTION																		
	$\nabla=0$ $\triangle=0$	<table border="1"> <thead> <tr> <th></th> <th>mm</th> <th>INCH</th> </tr> </thead> <tbody> <tr> <td>4 PLACES</td> <td><math>\pm</math>---</td> <td><math>\pm</math>---</td> </tr> <tr> <td>3 PLACES</td> <td><math>\pm</math>---</td> <td><math>\pm</math>---</td> </tr> <tr> <td>2 PLACES</td> <td><math>\pm</math>0.10</td> <td><math>\pm</math>---</td> </tr> <tr> <td>1 PLACE</td> <td><math>\pm</math>0.20</td> <td><math>\pm</math>---</td> </tr> <tr> <td>0 PLACE</td> <td><math>\pm</math>---</td> <td><math>\pm</math>---</td> </tr> </tbody> </table>		mm	INCH	4 PLACES	$\pm$ ---	$\pm$ ---	3 PLACES	$\pm$ ---	$\pm$ ---	2 PLACES	$\pm$ 0.10	$\pm$ ---	1 PLACE	$\pm$ 0.20	$\pm$ ---	0 PLACE	$\pm$ ---	$\pm$ ---	MM ONLY	1.5:1	METRIC	
		mm	INCH																					
	4 PLACES	$\pm$ ---	$\pm$ ---																					
3 PLACES	$\pm$ ---	$\pm$ ---																						
2 PLACES	$\pm$ 0.10	$\pm$ ---																						
1 PLACE	$\pm$ 0.20	$\pm$ ---																						
0 PLACE	$\pm$ ---	$\pm$ ---																						
DRAFT WHERE APPLICABLE MUST REMAIN WITHIN DIMENSIONS	DRAWN BY: JFLETCHER DATE: 2014/04/23 CHECKED BY: DATE: APPROVED BY: JWALLACE DATE: 2014/10/01 MATERIAL NO.: SEE NOTES	TITLE	6CCT ML-XT CV CONNECTOR																					
REV	DESCRIPTION	ANGULAR $\pm$ 2 °	moxle DOCUMENT NO. SD-93443-004		SHEET NO. 3 OF 7																			



6CCT RECEPTACLE WEDGELOCK

SERIES NO. 93447 4 0 --

CIRCUIT SIZE  
4 = 6cct

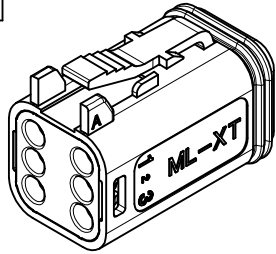
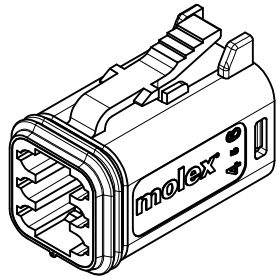
COLOUR/CODING  
03=GREEN

NOTES

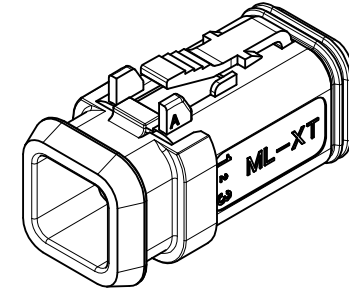
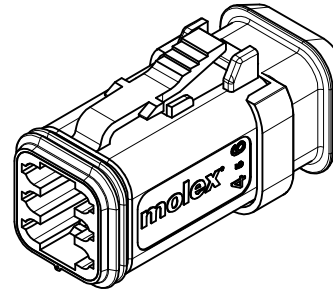
1. MATERIAL  
HOUSING: NYLON 30% GF
2. INSPECTION NUMBERS 51-100  
RESERVED FOR SHEET 4  
LAST INSPECTION NUMBER 54

SEE SHEET 1 EC NO: IPG2015-1746 DRWN: JFLETCHER 2015/04/07 CHKD: APPR: JWALLACE 2015/07/16	QUALITY SYMBOLS	GENERAL TOLERANCES (UNLESS SPECIFIED)	DIMENSION STYLE	SCALE	DESIGN UNITS	THIRD ANGLE PROJECTION
	▼=0 ◻=0	mm    INCH 4 PLACES ± --- ± --- 3 PLACES ± --- ± --- 2 PLACES ± 0.10 ± --- 1 PLACE ± 0.20 ± --- 0 PLACE ± --- ± ---	MM ONLY	2:1	METRIC	
	ANGULAR ± 2 ° DRAFT WHERE APPLICABLE MUST REMAIN WITHIN DIMENSIONS	DRAWN BY: JFLETCHER DATE: 2014/04/23 CHECKED BY: DATE: APPROVED BY: JWALLACE DATE: 2014/10/01 MATERIAL NO.	TITLE: 6CCT ML-XT CV CONNECTOR DOCUMENT NO. SD-93443-004 SHEET NO. 4 OF 7			
	SEE NOTES THIS DRAWING CONTAINS INFORMATION THAT IS PROPRIETARY TO MOLEX INCORPORATED AND SHOULD NOT BE USED WITHOUT WRITTEN PERMISSION					

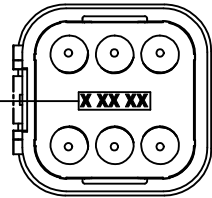
6CCT PLUG CONNECTOR



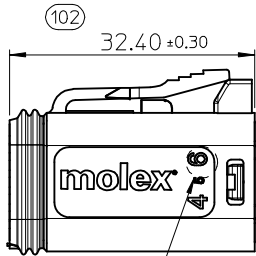
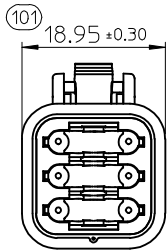
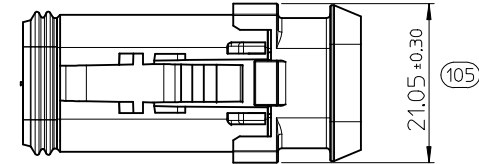
6CCT PLUG CONNECTOR WITH HEATSHRINK HOUSING ULTRASONICALLY WELDED IN PLACE



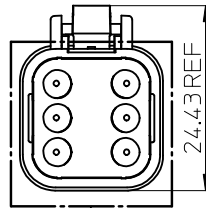
DATE CODE: X XX XX  
 X — DAY: 1 - 7  
 X — WEEK: 01 - 52  
 X — YEAR: 00 - 99  
 EXAMPLE: 11315 = DAY 1 OF WEEK 13 OF YEAR 15  
 i.e. 23rd OF MARCH 2015



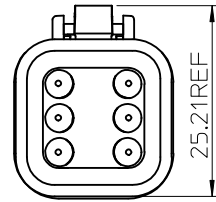
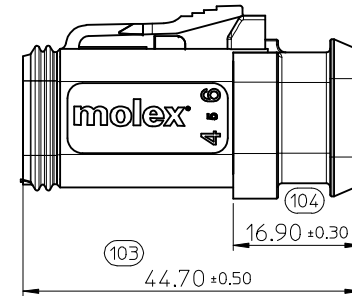
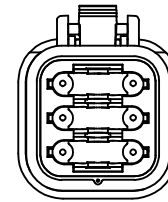
DETAIL 2  
(ROTATED 90°)



NOTE 2



DETAIL 2



NOTES

- MATERIAL:  
 HOUSING: NYLON 30% GF  
 PLUG SEAL: SILICONE RUBBER  
 BACK SEAL: HIGH CONSISTENCY RUBBER
- CIRCUIT IDENTIFICATION
- JACKET RANGE LARGE = Ø2.7MM TO 3.6MM (SEAL COLOUR: LIGHT BLUE)  
 JACKET RANGE SMALL = Ø1.4MM TO 2.7MM (SEAL COLOUR: BURNT ORANGE)
- SEE SHEET 6 FOR FINAL PART NUMBER DESIGNATION
- INSPECTION NUMBERS 101-150 RESERVED FOR SHEET 5  
 LAST INSPECTION NUMBER 105

SEE SHEET 1	DESCRIPTION
EC NO: IPG2015-1746	
DRWN: JFLETCHER 2015/04/07	
CHKD:	
APPR: JWALLACE 2015/07/16	
REV	

QUALITY SYMBOLS
▽=0
◻=0

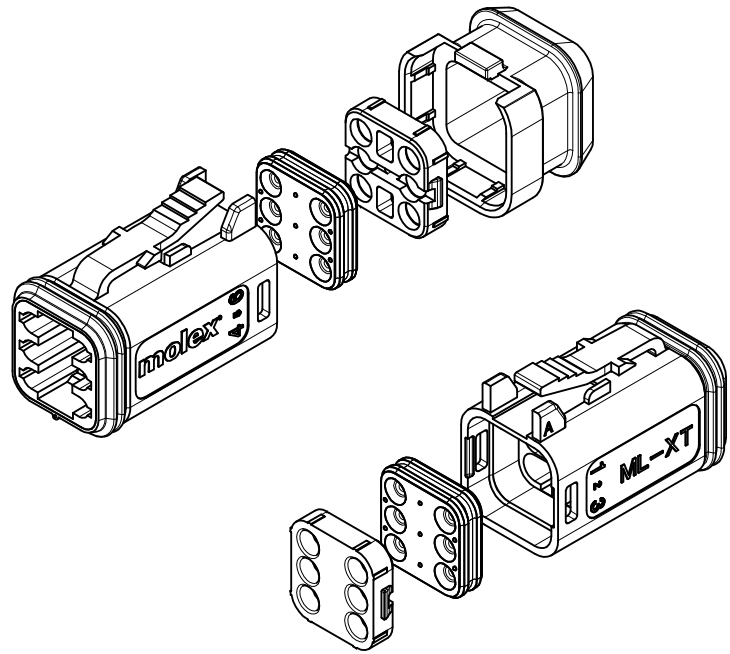
GENERAL TOLERANCES (UNLESS SPECIFIED)	mm	INCH
4 PLACES	± ---	± ---
3 PLACES	± ---	± ---
2 PLACES	± 0.10	± ---
1 PLACE	± 0.20	± ---
0 PLACE	± ---	± ---
ANGULAR ± 2 °		
DRAFT WHERE APPLICABLE MUST REMAIN WITHIN DIMENSIONS		

DIMENSION STYLE	
MM ONLY	
DRAWN BY	DATE
JFLETCHER	2014/04/23
CHECKED BY	DATE
APPROVED BY	DATE
JWALLACE	2014/10/01
MATERIAL NO.	

SCALE	DESIGN UNITS	THIRD ANGLE PROJECTION
1.5:1	METRIC	☉ □
TITLE		
6CCT ML-XT CV CONNECTOR		
DOCUMENT NO.		SHEET NO.
SD-93443-004		5 OF 7
THIS DRAWING CONTAINS INFORMATION THAT IS PROPRIETARY TO MOLEX INCORPORATED AND SHOULD NOT BE USED WITHOUT WRITTEN PERMISSION		



6CCT PLUG CONNECTOR



SERIES NO. 93445

CIRCUIT SIZE 4 = 6cct

ASSEMBLY OPTIONS

- 1 = PLUG ASSEMBLY FOR WIRE JACKET RANGE:  $\phi$ 1.4mm-2.7mm (NOTE 2)
- 2 = PLUG ASSEMBLY FOR WIRE JACKET RANGE:  $\phi$ 2.7mm-3.6mm (NOTE 2)
- 5 = PLUG ASSEMBLY & HEATSHR FOR WIRE JACKET RANGE:  $\phi$ 1.4mm-2.7mm (NOTE 3)
- 6 = PLUG ASSEMBLY & HEATSHR FOR WIRE JACKET RANGE:  $\phi$ 2.7mm-3.6mm (NOTE 3)

COLOUR

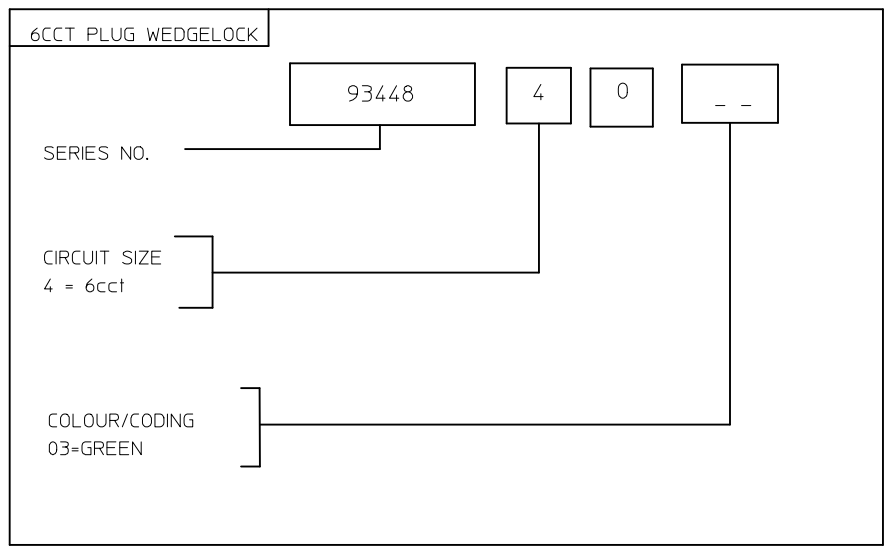
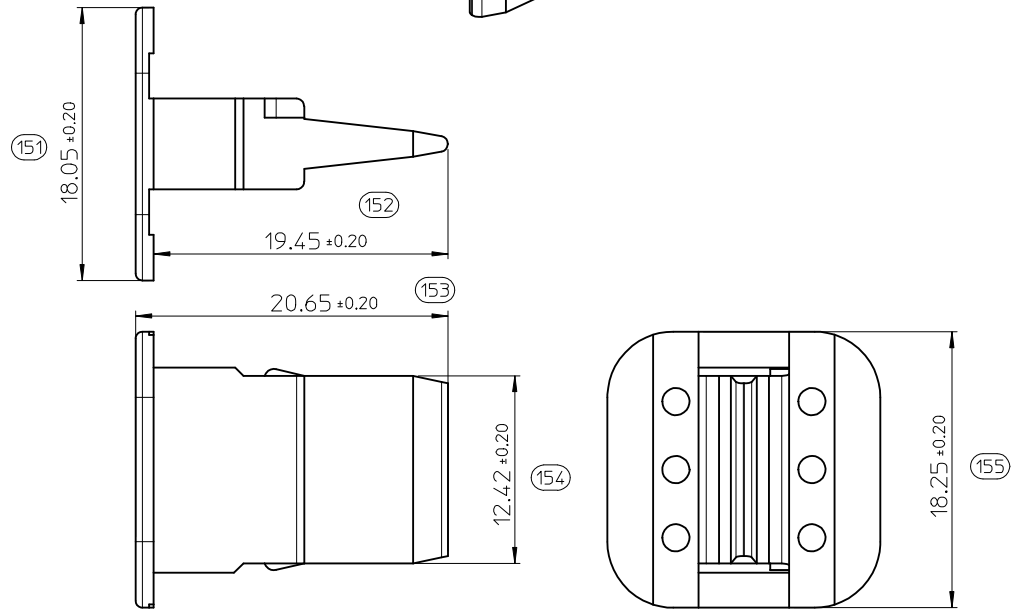
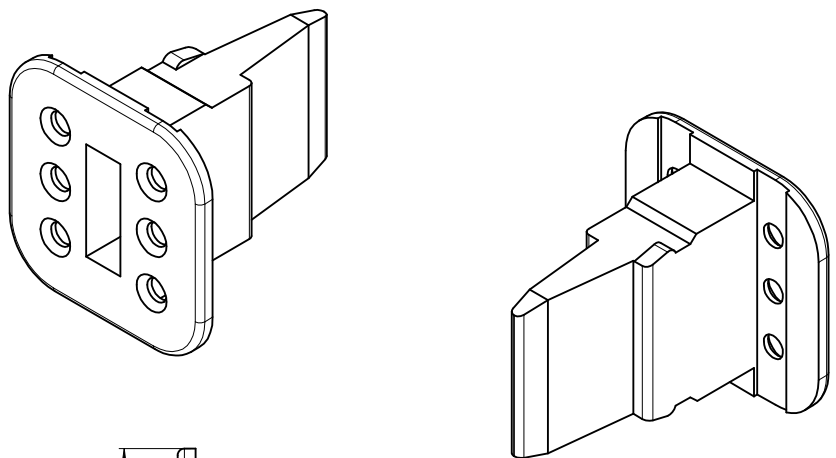
01=BLACK	06=WHITE
02=GREY	07=BROWN
03=GREEN	08=ORANGE
04=BLUE	09=RED

EXAMPLE:  
6cct PLUG BLACK WITH LARGE SEAL AND HEATSHRINK = 93445-4601

- NOTES
1. SEE SHEET 5 FOR UNSPECIFIED NOTES AND DIMENSIONS
  2. BACK COVER HOUSING COLOUR: BLACK
  3. HEATSHRINK HOUSING COLOUR: BLACK

SEE SHEET 1 EC NO: IPG2015-1746 DRWN: JFLETCHER 2015/04/07 CHKD: APPR: JWALLACE 2015/07/16	QUALITY SYMBOLS	GENERAL TOLERANCES (UNLESS SPECIFIED)	DIMENSION STYLE	SCALE	DESIGN UNITS	THIRD ANGLE PROJECTION																		
	$\nabla=0$ $\triangle=0$	<table border="1"> <thead> <tr> <th></th> <th>mm</th> <th>INCH</th> </tr> </thead> <tbody> <tr> <td>4 PLACES</td> <td><math>\pm</math>---</td> <td><math>\pm</math>---</td> </tr> <tr> <td>3 PLACES</td> <td><math>\pm</math>---</td> <td><math>\pm</math>---</td> </tr> <tr> <td>2 PLACES</td> <td><math>\pm</math>0.10</td> <td><math>\pm</math>---</td> </tr> <tr> <td>1 PLACE</td> <td><math>\pm</math>0.20</td> <td><math>\pm</math>---</td> </tr> <tr> <td>0 PLACE</td> <td><math>\pm</math>---</td> <td><math>\pm</math>---</td> </tr> </tbody> </table>		mm	INCH	4 PLACES	$\pm$ ---	$\pm$ ---	3 PLACES	$\pm$ ---	$\pm$ ---	2 PLACES	$\pm$ 0.10	$\pm$ ---	1 PLACE	$\pm$ 0.20	$\pm$ ---	0 PLACE	$\pm$ ---	$\pm$ ---	MM ONLY	1.5:1	METRIC	
		mm	INCH																					
	4 PLACES	$\pm$ ---	$\pm$ ---																					
	3 PLACES	$\pm$ ---	$\pm$ ---																					
2 PLACES	$\pm$ 0.10	$\pm$ ---																						
1 PLACE	$\pm$ 0.20	$\pm$ ---																						
0 PLACE	$\pm$ ---	$\pm$ ---																						
DESCRIPTION	DRAWN BY: JFLETCHER DATE: 2014/04/23 CHECKED BY: DATE:	TITLE	6CCT ML-XT CV CONNECTOR																					
REV	APPROVED BY: JWALLACE DATE: 2014/10/01 MATERIAL NO.: SEE NOTES	DOCUMENT NO.: SD-93443-004 SHEET NO.: 6 OF 7																						

THIS DRAWING CONTAINS INFORMATION THAT IS PROPRIETARY TO MOLEX INCORPORATED AND SHOULD NOT BE USED WITHOUT WRITTEN PERMISSION



NOTES  
 1. MATERIAL  
 HOUSING: NYLON 30% GF  
 2. INSPECTION NUMBERS 151-200 RESERVED FOR SHEET 7  
 LAST INSPECTION NUMBER 155

SEE SHEET 1 EC NO: IPG2015-1746 DRWN: JFLETCHER 2015/04/07 CHKD: APPR: JWALLACE 2015/07/16	DESCRIPTION QUALITY SYMBOLS ▽=0 ◻=0	GENERAL TOLERANCES (UNLESS SPECIFIED)		DIMENSION STYLE MM ONLY	SCALE 3:1	DESIGN UNITS METRIC	THIRD ANGLE PROJECTION		
		4 PLACES ± --- ± --- 3 PLACES ± --- ± --- 2 PLACES ± 0.10 ± --- 1 PLACE ± 0.20 ± --- 0 PLACE ± --- ± ---	mm INCH ± --- ± --- ± --- ± --- ± 0.10 ± --- ± 0.20 ± --- ± --- ± ---	DRAWN BY JFLETCHER	DATE 2014/04/23	TITLE 6CCT ML-XT CV CONNECTOR			
		ANGULAR ± 2 °		APPROVED BY JWALLACE	DATE 2014/10/01	<b>molex</b>			
		DRAFT WHERE APPLICABLE MUST REMAIN WITHIN DIMENSIONS		SEE NOTES					

## **О компании**

ООО "ТрейдЭлектроникс" - это оперативные поставки широкого спектра электронных компонентов отечественного и импортного производства напрямую от производителей и с крупнейших мировых складов. Реализуемая нашей компанией продукция насчитывает более полумиллиона наименований.

Благодаря этому наша компания предлагает к поставке практически не ограниченный ассортимент компонентов как оптовыми, мелкооптовыми партиями, так и в розницу.

Наличие собственной эффективной системы логистики обеспечивает надежную поставку продукции по конкурентным ценам в точно указанные сроки.

Срок поставки со стоков в **Европе и Америке – от 3 до 14 дней.**

Срок поставки из **Азии – от 10 дней.**

Благодаря развитой сети поставщиков, помогаем в поиске и приобретении экзотичных или снятых с производства компонентов.

Предоставляем спец цены на элементы для создания инженерных сэмплов.

**Упорный труд, качественный результат дают нам право быть уверенными в себе и надежными для наших клиентов.**

### **Наша компания это:**

- Гарантия качества поставляемой продукции
- Широкий ассортимент
- Минимальные сроки поставок
- Техническая поддержка
- Подбор комплектации
- Индивидуальный подход
- Гибкое ценообразование

Наша организация особенно сильна в поставках модулей, микросхем, пассивных компонентов, ксайленсах (XC), EPF, EPM и силовой электроники.

Большой выбор предлагаемой продукции, различные виды оплаты и доставки, позволят Вам сэкономить время и получить максимум выгоды от сотрудничества с нами!



## Перечень производителей, продукцию которых мы поставляем на российский рынок



С удовольствием будем прорабатывать для Вас поставки всех необходимых компонентов по текущим запросам для скорейшего выявления групп элементов, по которым сотрудничество именно с нашей компанией будет для Вас максимально выгодным!

С уважением,

Менеджер отдела продаж ООО

«Трейд Электроникс»

Шишлаков Евгений

8 (495)668-30-28 доб 169

manager28@tradeelectronics.ru

<http://www.tradeelectronics.ru/>