

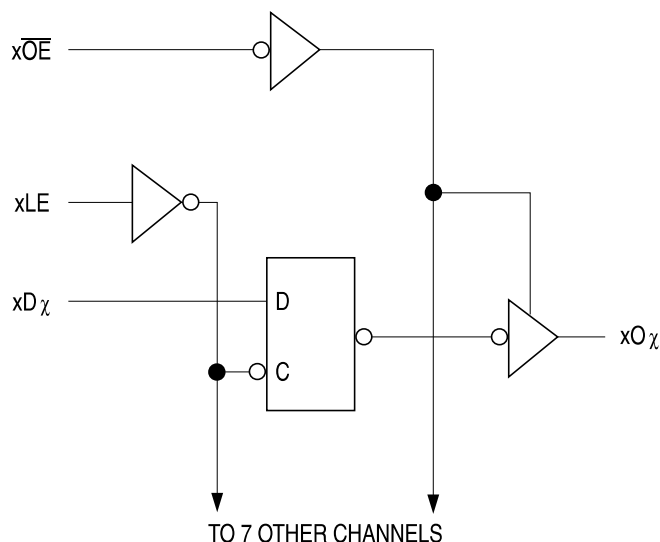
## Features

- Fastest Propagation Speeds in the Industry  $T_{PD}$  (F grade) = 2.5 ns,  $T_{PD}$  (G grade) = 2.0 ns
- Maximum derating for capacitive loads 1.5ns/100 pF (F grade) and 1.1ns/100 pF (G grade)
- Very low ground bounce < 0.6V @  $V_{CC}=5.00V$ ,  $T_a=25^\circ C$
- Excellent noise rejection
- Typical output skew  $\leq 0.25ns$
- Bus Hold circuitry to retain last active state during Tri-state™
- Available in SSOP and TSSOP packages

## Description

Atmel's AT16373 devices provide maximum speed in temporary data storage. They can be operated as either two separate 8 bit latches or as a single 16-bit latch by use of the output enable and the latch enable. The AT16373 has very low ground bounce and excellent input noise rejection, giving the user stable signals in a high speed environment. These devices can drive very large loads while operating in a high speed transparent mode.

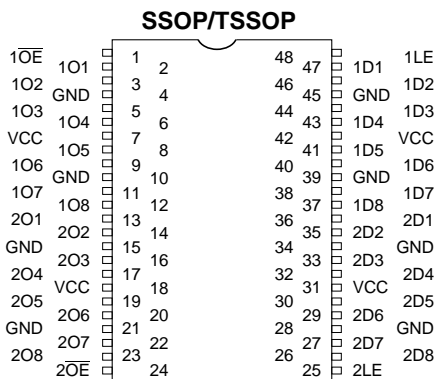
## Functional Block Diagram <sup>(1)</sup>



Note: 1. This 8-bit latch function is repeated a second time on each device.

## Pin Configurations

Pin Names	Descriptions
$\overline{xOE}$	Output Enable Input (Active Low)
xLE	Latch Enable Inputs (Active High)
$xD_\chi$	Data Inputs
$xO_\chi$	Tri-State Outputs



Top View

# AT16373 Fast Logic™ 16-Bit Transparent Latch

## AT16373F AT16373G

## Function Table<sup>(1)</sup>

Inputs			Outputs
$\overline{x}D\chi$	$\overline{x}LE$	$\overline{x}OE$	$\overline{x}O\chi$
H	H	L	H
L	H	L	L
X	X	H	Z

Note: 1. X = Don't Care, Z = High Impedance

## Absolute Maximum Ratings\*

Operating Temperature.....	0°C to +70°C
Storage Temperature.....	-65°C to +150°C
Voltage on any Pin with Respect to Ground.....	-2.0V to +7.0V <sup>(1)</sup>
Maximum Operating Voltage.....	6.0V

\*NOTICE: Stresses beyond those listed under "Absolute Maximum Ratings" may cause permanent damage to the device. This is a stress rating only and functional operation of the device at these or any other conditions beyond those indicated in the operational sections of this specification is not implied. Exposure to absolute maximum rating conditions for extended periods may affect device reliability.

Notes: 1. Minimum voltage is -0.6V dc which may undershoot to -2.0V for pulses of less than 20 ns. Maximum output pin voltage is  $V_{CC} + 0.75V$  dc which may overshoot to +7.0V for pulses of less than 20 ns.

## 5.0 Volt DC Characteristics

Applicable over recommended operating range from  $T_a = 0^\circ\text{C}$  to  $+70^\circ\text{C}$ ,  $V_{CC} = +5.0V \pm 5\%$  (unless otherwise noted)

Symbol	Parameter	Test Conditions	Min	Typ	Max	Units
$\Delta I_{CC}$	Quiescent Power Supply Current	$V_{CC} = \text{Max}, V_{IN} = 3.4V$		0.8	1.2	mA
$V_{IH}$	Input High Voltage		2.0			V
$V_{IL}$	Input Low Voltage				0.8	V
$I_{IH}$	Input High Current	$V_{IN} = V_{CC}$			$\pm 15$	$\mu\text{A}$
$I_{IL}$	Input Low Current	$V_{IN} = \text{GND}$			$\pm 15$	$\mu\text{A}$
$I_{OZ}$	Output Leakage Current				$\pm 10$	$\mu\text{A}$
$V_{OH(1)}$	Output High Voltage F Grade only	$V_{CC} = 4.75V$ $I_{OH} = -10 \text{ mA}$	2.7			V
$V_{OH(2)}$	Output High Voltage G Grade only	$V_{CC} = 4.75V$ $I_{OH} = -12 \text{ mA}$	2.7			V
$V_{OL}$	Output Low Voltage (F Grade)	$I_{OL} = 10 \text{ mA}$			0.55	V
$V_{OL}$	Output Low Voltage (G Grade)	$I_{OL} = 12 \text{ mA}$			0.55	V

Note: 1. F grade: At  $V_{CC(\text{max})}$ , the value of  $V_{OH(\text{max})} = 3.75V$  and at  $V_{CC(\text{min})}$ ,  $V_{OH(\text{max})} = 3.25V$   
 2. G grade: At  $V_{CC(\text{max})}$ , the value of  $V_{OH(\text{max})} = 3.75V$  and at  $V_{CC(\text{min})}$ ,  $V_{OH(\text{max})} = 3.35V$

## AC Characteristics AT16373F

Applicable over recommended operating range from  $T_a = 0^\circ\text{C}$  to  $+70^\circ\text{C}$ ,  $V_{CC} = 5.0\text{V} \pm 5\%$  (unless otherwise noted)

Symbol	Parameter	Test Conditions <sup>(1)</sup>	Min	Typ	Max	Units
$t_{PHL}$ $t_{PLH}$	Propagation Delay $xD\chi$ to $xO\chi$	$C_L = 50\text{ pF}$			2.5	ns
$t_{PHL}$ $t_{PLH}$	Propagation Delay $xLE$ to $xO\chi$	$C_L = 50\text{ pF}$			5.5	ns
$t_{PZH}$ $t_{PZL}$	Output Enable	$C_L = 50\text{ pF}$			8.8	ns
$t_{PHZ}$ $t_{PLZ}$	Output Disable	$C_L = 50\text{ pF}$			6.5	ns
$t_{SK}(2)$	Output Skew	$C_L = 50\text{ pF}$			0.5	ns
$\Delta t_{PHL}(2)$ $\Delta t_{PLH}$	Propagation Delay vs Output Loading			1.3	1.5	ns/100 pF
$t_{su}$	Set-up Time	$C_L = 50\text{ pF}$	2.0			ns
$t_H$	Hold Time	$C_L = 50\text{ pF}$	2.0			ns

Note: 1. See test circuit and waveforms.  
2. This parameter is guaranteed but not 100% tested.

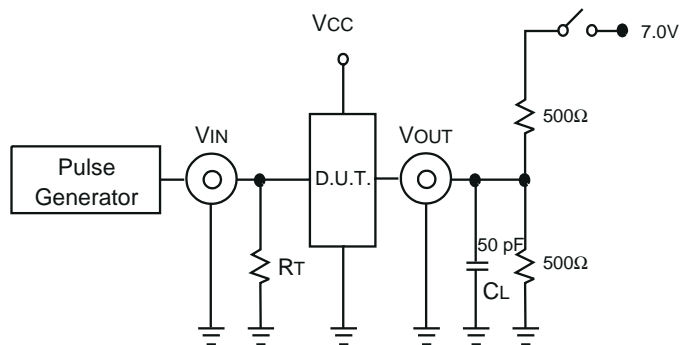
## AT16373G

Applicable over recommended operating range from  $T_a = 0^\circ\text{C}$  to  $+70^\circ\text{C}$ ,  $V_{CC} = 5.0\text{V} \pm 5\%$  (unless otherwise noted)

Symbol	Parameter	Test Conditions <sup>(1)</sup>	Min	Typ	Max	Units
$t_{PHL}$ $t_{PLH}$	Propagation Delay $xD\chi$ to $xO\chi$	$C_L = 50\text{ pF}$			2.0	ns
$t_{PHL}$ $t_{PLH}$	Propagation Delay $xLE$ to $xO\chi$	$C_L = 50\text{ pF}$			5.0	ns
$t_{PZH}$ $t_{PZL}$	Output Enable	$C_L = 50\text{ pF}$			8.8	ns
$t_{PHZ}$ $t_{PLZ}$	Output Disable	$C_L = 50\text{ pF}$			6.0	ns
$t_{SK}(2)$	Output Skew	$C_L = 50\text{ pF}$			0.5	ns
$\Delta t_{PHL}(2)$ $\Delta t_{PLH}$	Propagation Delay vs Output Loading			0.9	1.1	ns/100 pF
$t_{su}$	Set-up Time	$C_L = 50\text{ pF}$	2.0			ns
$t_H$	Hold Time	$C_L = 50\text{ pF}$	2.0			ns

Note: 1. See test circuit and waveforms.  
2. This parameter is guaranteed but not 100% tested.

## Test Circuits<sup>(1,2)</sup>



- Note: 1. Pulse Generator: Rate  $\leq 1.0$  MHz,  $t_F \leq 2.5$  ns,  $t_R \leq 2.5$  ns.  
 2. AC tests are done with a single bit switching, and timings need to be derated when multiple outputs are switching in the same direction simultaneously. This derating should not exceed 0.5 ns for 16 inputs switching simultaneously.

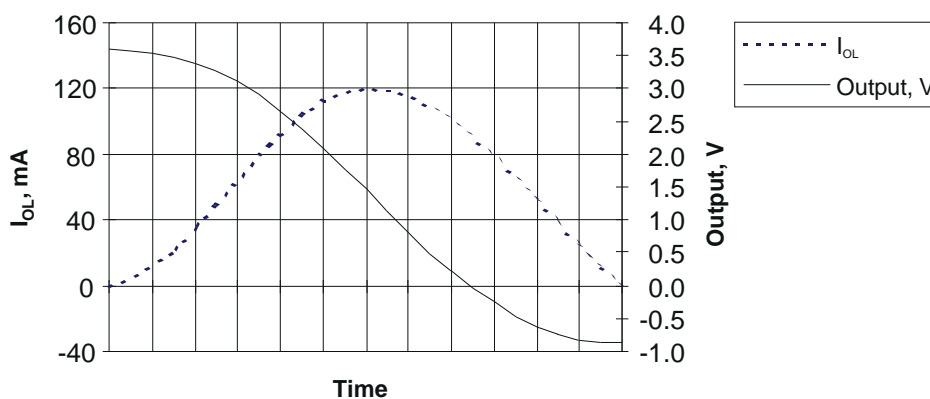
## Switch Position

Test	Switch
Open Drain Disable Low Enable Low	Closed
All Other Tests	Open

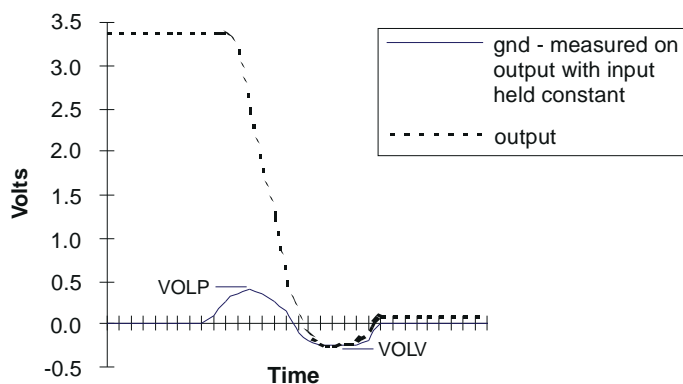
### Definitions:

$C_L$  = Load capacitance; Includes jig and probe capacitance.  
 $R_T$  = Termination resistance; Should be equal to  $Z_{OUT}$  of the Pulse Generator.

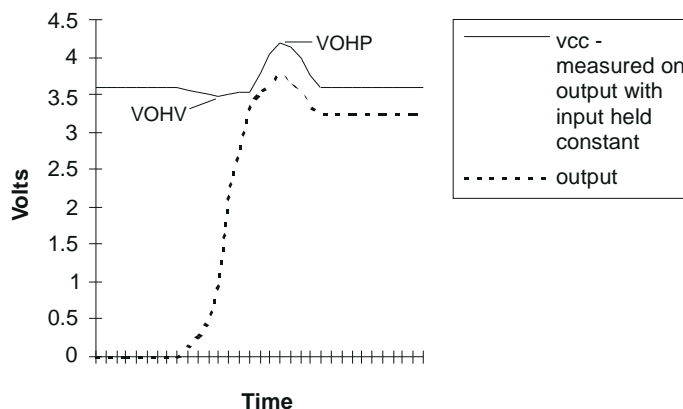
## IOL Pull Down Current



## Ground Bounce for High to Low Transitions<sup>(1)</sup>



## Supply Bounce for Low to High Transitions<sup>(2)</sup>

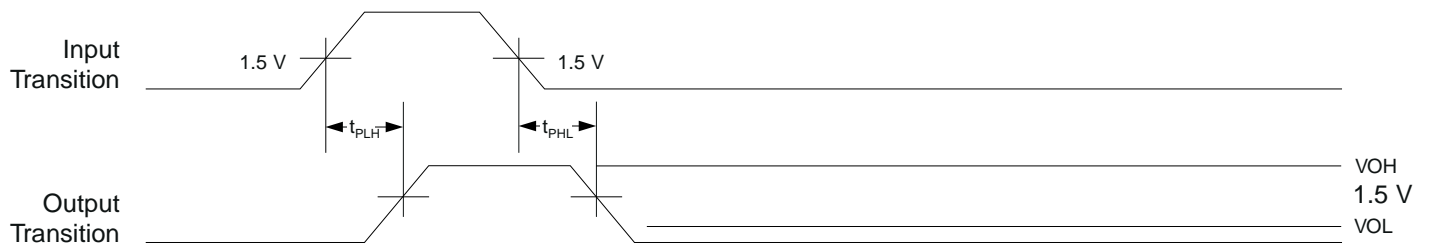


## Typical Values

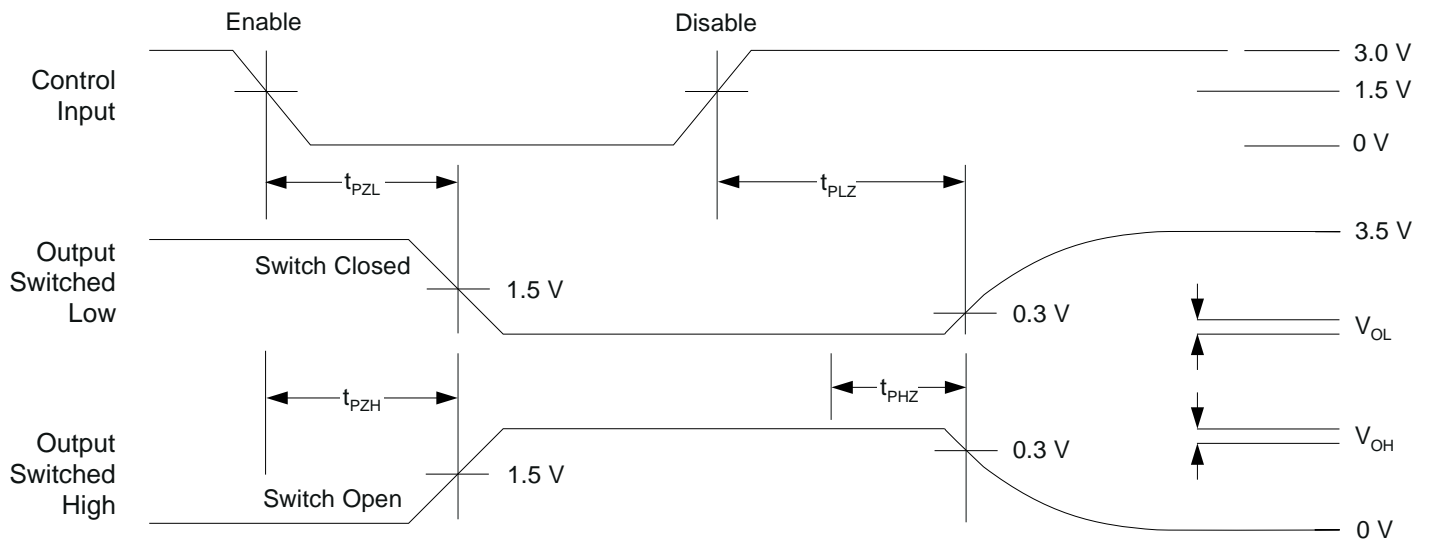
Parameter	Value	Units
VOLP	0.4	V
VOLV	-0.26	V
VOHV	$V_{CC} - 0.13$	V
VOHP	$V_{CC} + 0.6$	V

- Note: 1. When multiple outputs are switched at the same time, rapidly changing current on the ground and VCC paths causes a voltage to develop across the parasitic inductance of the wire bond and package pins. This occurrence is called simultaneous switching noise. Atmel's AT16373 products have minimized this phenomenon as shown on the graph. Output data is for 15 outputs switching simultaneously at a frequency of 1 MHz. The ground data is measured on the one remaining output, which is set to logic low and will reflect any device ground movement.
2. As on the graph for Ground Bounce, a similar condition occurs for low to high transitions. Output data is for 15 outputs switching simultaneously at a frequency of 1 MHz.  $V_{CC}$  droop is measured on the one remaining output pin, which is set to a logic high. This output will reflect any movement on the device  $V_{CC}$ .

## Propagation Delay Waveforms



## Enable and Disable Waveforms<sup>(1)</sup>



- Note: 1. Enable and disable waveforms are the same for both  $\overline{xOE}$  and xLE inputs.



## Ordering Information

TPD	Ordering Code	Package	Operation Range
2.5 ns	AT16373F - 25YC AT16373F - 25XC	48Y 48X	Commercial
2.0 ns	AT16373G - 20YC AT16373G - 20XC	48Y 48X	Commercial

Package Type	
<b>48X</b>	48 Pin, Plastic Thin Shrink Small Outline Package (TSSOP)
<b>48Y</b>	48 Pin, Plastic Shrink Small Outline Package (SSOP)

## **О компании**

ООО "ТрейдЭлектроникс" - это оперативные поставки широкого спектра электронных компонентов отечественного и импортного производства напрямую от производителей и с крупнейших мировых складов. Реализуемая нашей компанией продукция насчитывает более полумиллиона наименований.

Благодаря этому наша компания предлагает к поставке практически не ограниченный ассортимент компонентов как оптовыми, мелкооптовыми партиями, так и в розницу.

Наличие собственной эффективной системы логистики обеспечивает надежную поставку продукции по конкурентным ценам в точно указанные сроки.

Срок поставки со стоков в **Европе и Америке – от 3 до 14 дней.**

Срок поставки из **Азии – от 10 дней.**

Благодаря развитой сети поставщиков, помогаем в поиске и приобретении экзотичных или снятых с производства компонентов.

Предоставляем спец цены на элементы для создания инженерных сэмплов.

**Упорный труд, качественный результат дают нам право быть уверенными в себе и надежными для наших клиентов.**

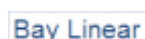
### **Наша компания это:**

- Гарантия качества поставляемой продукции
- Широкий ассортимент
- Минимальные сроки поставок
- Техническая поддержка
- Подбор комплектации
- Индивидуальный подход
- Гибкое ценообразование

Наша организация особенно сильна в поставках модулей, микросхем, пассивных компонентов, ксайленсах (XC), EPF, EPM и силовой электроники.

Большой выбор предлагаемой продукции, различные виды оплаты и доставки, позволят Вам сэкономить время и получить максимум выгоды от сотрудничества с нами!

## Перечень производителей, продукцию которых мы поставляем на российский рынок





С удовольствием будем прорабатывать для Вас поставки всех необходимых компонентов по текущим запросам для скорейшего выявления групп элементов, по которым сотрудничество именно с нашей компанией будет для Вас максимально выгодным!

С уважением,

Менеджер отдела продаж ООО

«Трейд Электроникс»

Шишлаков Евгений

8 (495)668-30-28 доб 169

manager28@tradeelectronics.ru

<http://www.tradeelectronics.ru/>