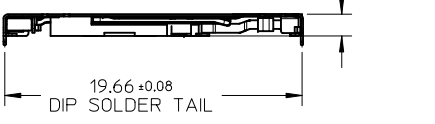
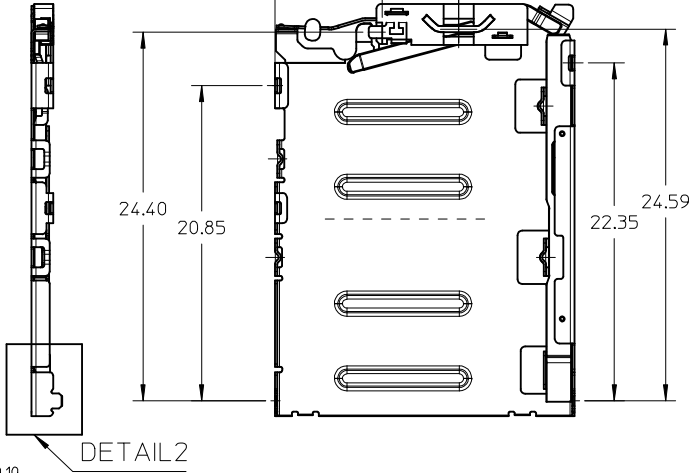
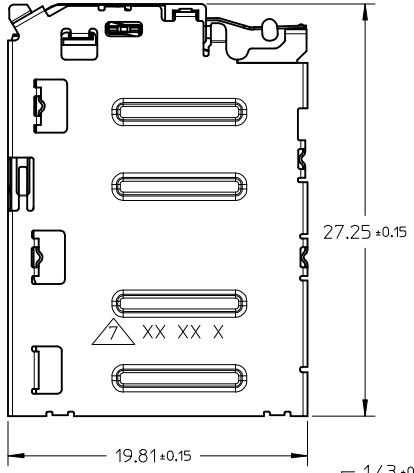
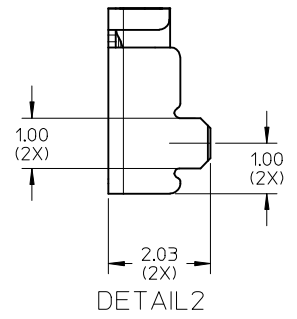
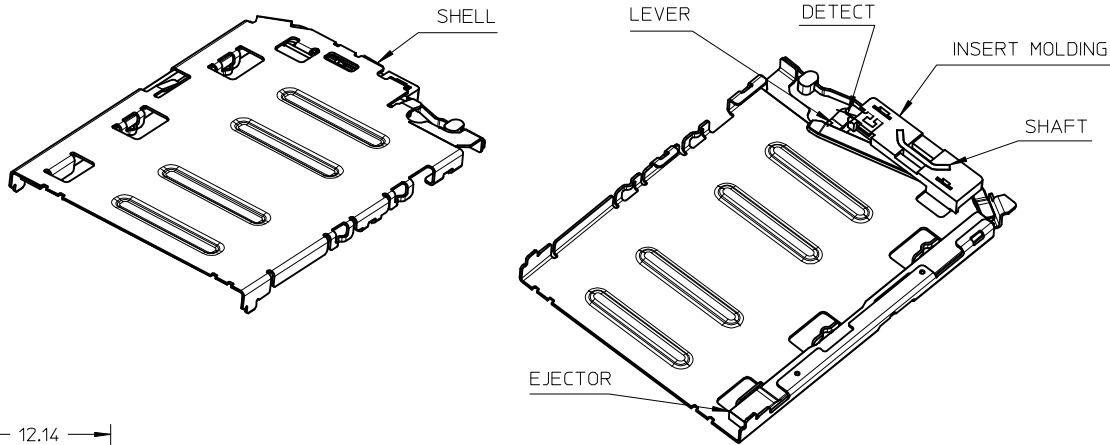


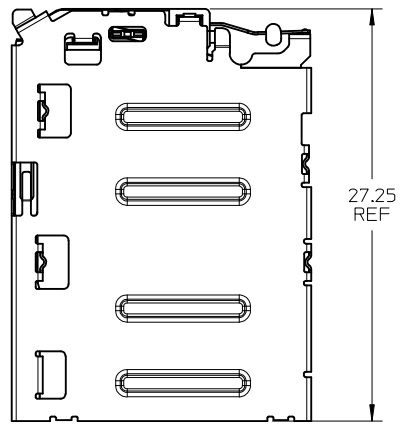
THIS DESIGN IS BASED ON DESIGN OBJECTIVES AND IS STRICTLY TENTATIVE. IT MAY CHANGE BASED ON RESULTS OF ADDITIONAL DESIGN REVIEWS & VERIFICATIONS.



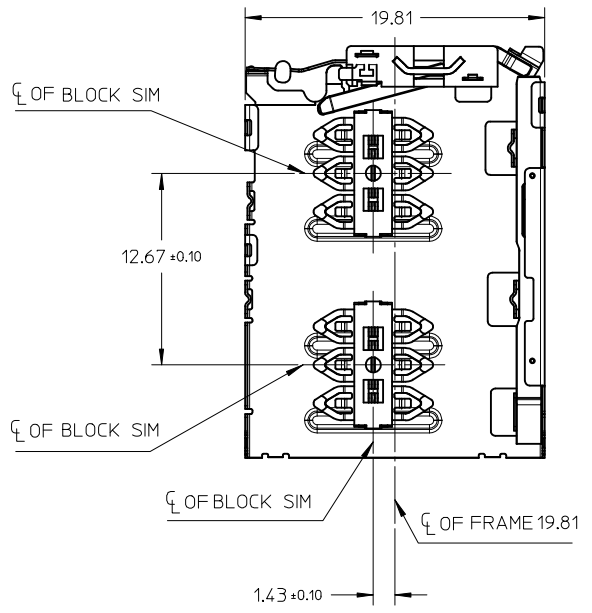
- NOTES:
- MATERIALS:  
 INSERT MOLD HOUSING: LCP, UL94V-0;  
 LEVER, SHAFT, EJECTOR, SHELL: STAINLESS STEEL;  
 DETECT SPRING: COPPER ALLOY;
  - FINISHES:  
 DETECT SPRING:  
 1.27um MIN. NICKEL UNDERPLATING OVERALL;  
 0.127um MIN. GOLD PLATING ON CONTACT AREA;  
 1.27 um MIN. TIN PLATING ON SOLDERING TAIL;  
 SHELL:  
 1.27um MIN NICKEL UNDERPLATING OVERALL;  
 0.025um MIN GOLD PLATING ON CONTACT AREA AND SOLDERING AREA;  
 SHAFT: 1.27um MIN TIN ON SOLDERING TAIL;
  - PRODUCT SPECIFICATION: PS-151031-2001;
  - PACKAGING SPECIFICATION: PK-151031-0001;
  - SOLDER TAIL COPLANARITY: 0.10 MM MAX BEFORE REFLOW
  - THIS PART IS A FRAME ONLY, IT SHOULD BE USED TOGETHER WITH 0.38MM BLOCK SIM 151130 FOR AN ENTIRE SIM POP OUT SYSTEM;
  - DATE CODE PRINTED: XX XX X  
 DAY  
 WEEK  
 YEAR

UPDATED DRAWING FOR TYPE EC NO: S2015-1182 DRWN: JZENG 2015/06/19 CHKD: JTAN02 2015/07/07 APPR: KHL IM 2015/07/22	DESCRIPTION 12	QUALITY SYMBOLS	GENERAL TOLERANCES (UNLESS SPECIFIED)		DIMENSION STYLE MM ONLY		SCALE NTS	DESIGN UNITS METRIC	THIRD ANGLE PROJECTION																														
		$\nabla_A = 0$ $\nabla_B = 0$ $\nabla_P = 0$	<table border="1"> <thead> <tr> <th></th> <th>mm</th> <th>INCH</th> </tr> </thead> <tbody> <tr> <td>4 PLACES</td> <td>± ---</td> <td>± ---</td> </tr> <tr> <td>3 PLACES</td> <td>± ---</td> <td>± ---</td> </tr> <tr> <td>2 PLACES</td> <td>± 0.20</td> <td>± ---</td> </tr> <tr> <td>1 PLACE</td> <td>± 0.20</td> <td>± ---</td> </tr> <tr> <td>0 PLACE</td> <td>± ---</td> <td>± ---</td> </tr> </tbody> </table>		mm	INCH	4 PLACES	± ---	± ---	3 PLACES	± ---	± ---	2 PLACES	± 0.20	± ---	1 PLACE	± 0.20	± ---	0 PLACE	± ---	± ---	<table border="1"> <thead> <tr> <th>DRAWN BY</th> <th>DATE</th> </tr> </thead> <tbody> <tr> <td>JZENG</td> <td>2014/07/01</td> </tr> <tr> <th>CHECKED BY</th> <th>DATE</th> </tr> <tr> <td>JTAN02</td> <td>2014/07/01</td> </tr> <tr> <th>APPROVED BY</th> <th>DATE</th> </tr> <tr> <td></td> <td></td> </tr> </tbody> </table>	DRAWN BY	DATE	JZENG	2014/07/01	CHECKED BY	DATE	JTAN02	2014/07/01	APPROVED BY	DATE			TITLE DUAL SIM FRAME CONNECTOR 1.43H		DOCUMENT NO. SD-151031-0001		SHEET NO. 1 OF 5
			mm	INCH																																			
		4 PLACES	± ---	± ---																																			
3 PLACES	± ---	± ---																																					
2 PLACES	± 0.20	± ---																																					
1 PLACE	± 0.20	± ---																																					
0 PLACE	± ---	± ---																																					
DRAWN BY	DATE																																						
JZENG	2014/07/01																																						
CHECKED BY	DATE																																						
JTAN02	2014/07/01																																						
APPROVED BY	DATE																																						
ANGULAR ± 3 ° DRAFT WHERE APPLICABLE MUST REMAIN WITHIN DIMENSIONS		MATERIAL NO. 1510312001				THIS DRAWING CONTAINS INFORMATION THAT IS PROPRIETARY TO MOLEX INCORPORATED AND SHOULD NOT BE USED WITHOUT WRITTEN PERMISSION																																	

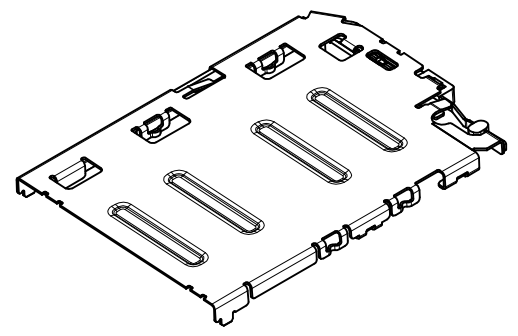
SIM CONNECTOR  
(WITH 151130 BLOCK SIM CONNECTOR)



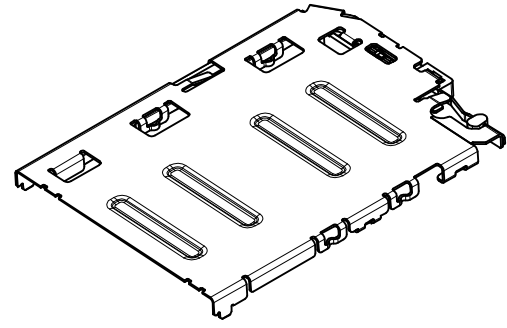
27.25 REF



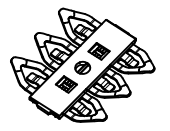
SIM CONNECTOR BOM



FRAME + BLOCK SIM



151031 SERIES



151130 SERIES

THIS DESIGN IS BASED ON DESIGN OBJECTIVES AND IS STRICTLY TENTATIVE. IT MAY CHANGE BASED ON RESULTS OF ADDITIONAL DESIGN REVIEWS & VERIFICATIONS.

SEE SHEET 1	EC NO: S2015-1182	2015/06/29
	DRWN: JZENG	2015/07/07
	CHKD: JTAN02	2015/07/07
	APPR: KHLIM	2015/07/22

REV	DESCRIPTION
12	QUALITY SYMBOLS
	$F_A=0$
	$F_C=0$
	$F_P=0$

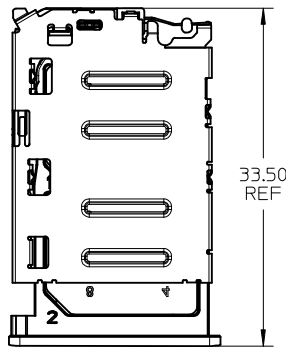
GENERAL TOLERANCES (UNLESS SPECIFIED)	
	mm INCH
4 PLACES	± --- ± ---
3 PLACES	± --- ± ---
2 PLACES	± 0.20 ± ---
1 PLACE	± 0.20 ± ---
0 PLACE	± --- ± ---
ANGULAR ± 3 °	
DRAFT WHERE APPLICABLE MUST REMAIN WITHIN DIMENSIONS	

DIMENSION STYLE	
MM ONLY	
DRAWN BY	DATE
JZENG	2014/07/01
CHECKED BY	DATE
JTAN02	2014/07/01
APPROVED BY	DATE
MATERIAL NO.	
1510312001	
SIZE	
A3	

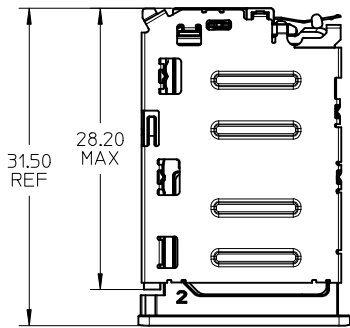
SCALE	DESIGN UNITS	THIRD ANGLE PROJECTION
NTS	METRIC	
TITLE		
DUAL SIM FRAME CONNECTOR 1.43H		
DOCUMENT NO.		SHEET NO.
SD-151031-0001		2 OF 5
THIS DRAWING CONTAINS INFORMATION THAT IS PROPRIETARY TO MOLEX INCORPORATED AND SHOULD NOT BE USED WITHOUT WRITTEN PERMISSION		



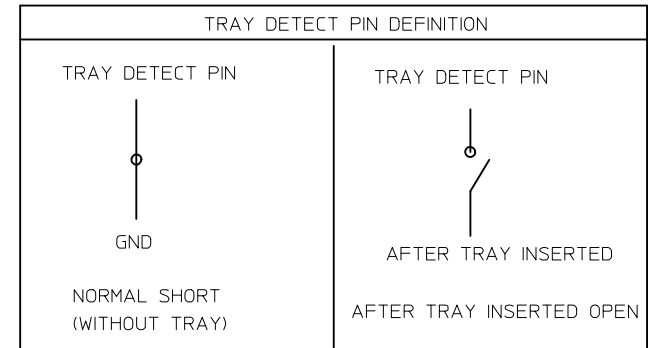
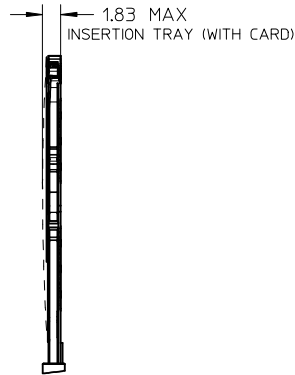
SIM CONNECTOR FRAME AND TRAY



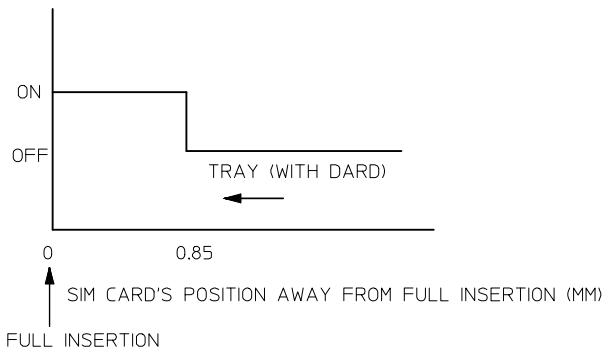
TRAY EJECTED POSITION



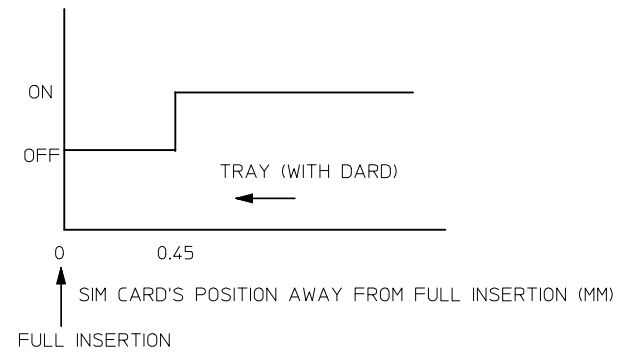
TRAY INSERTION POSITION



SIGNAL PIN

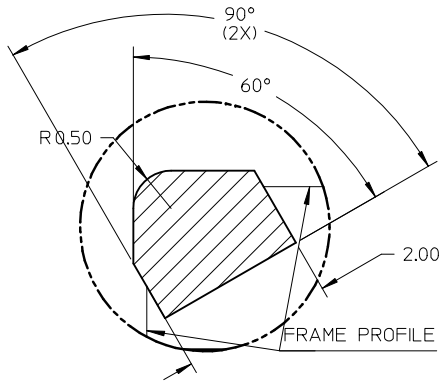


DETECT SWITCH PIN

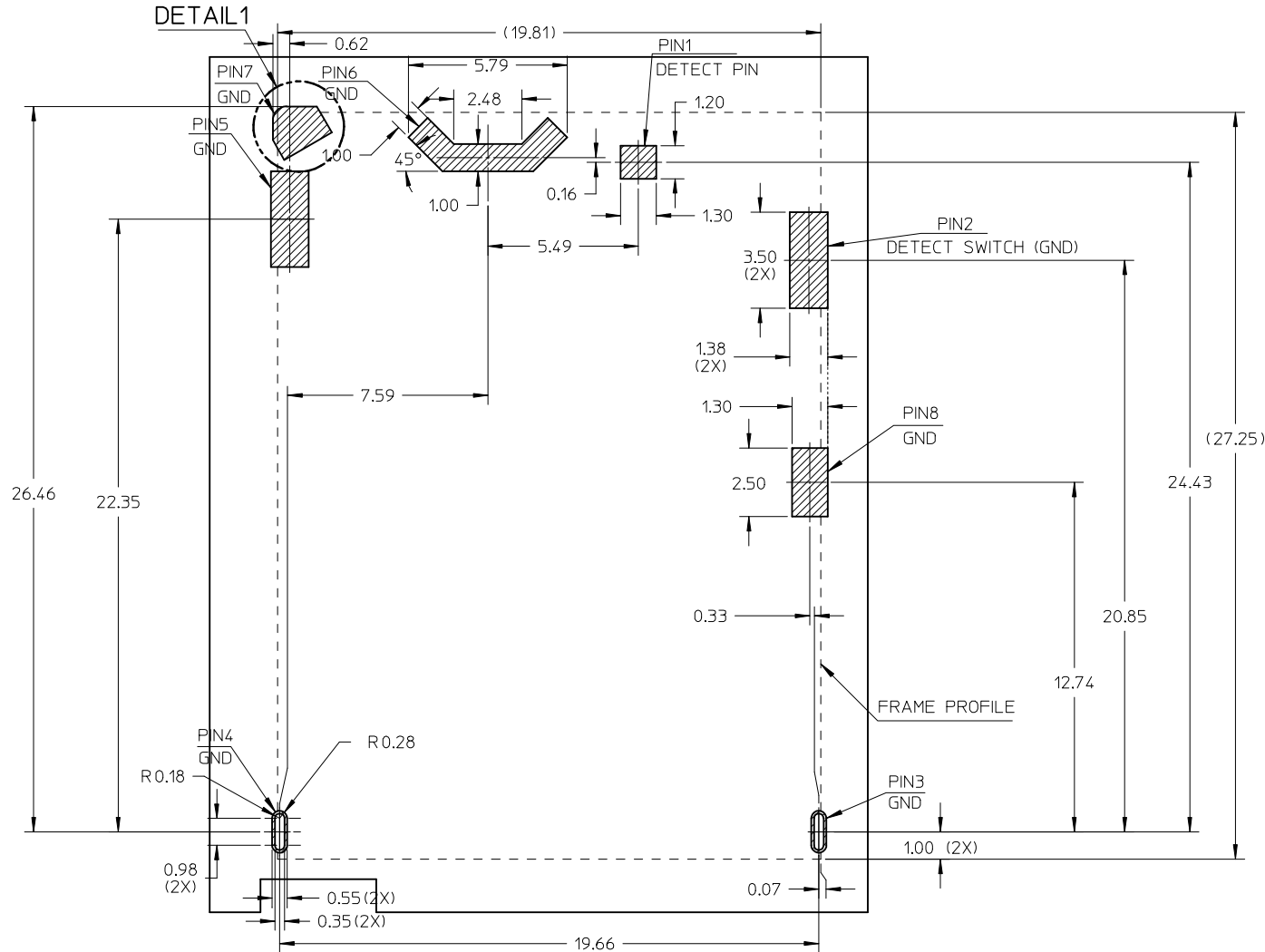


SEE SHEET 1 EC NO: S2015-1182 DRWN: JZENG CHKD: JTAN02 APPR: KHLIM	2015/06/29 2015/07/07 2015/07/22	DESCRIPTION REV	QUALITY SYMBOLS	GENERAL TOLERANCES (UNLESS SPECIFIED)	DIMENSION STYLE	SCALE	DESIGN UNITS	THIRD ANGLE PROJECTION	
			$F_A=0$ $F_G=0$ $F_P=0$	mm    INCH 4 PLACES ± --- ± --- 3 PLACES ± --- ± --- 2 PLACES ± 0.20 ± --- 1 PLACE ± 0.20 ± --- 0 PLACE ± --- ± ---	MM ONLY		METRIC	TITLE DUAL SIM FRAME CONNECTOR 1.43H	
				ANGULAR ± 3 ° DRAFT WHERE APPLICABLE MUST REMAIN WITHIN DIMENSIONS	DRAWN BY: JZENG CHECKED BY: JTAN02 APPROVED BY:	DATE: 2014/07/01 DATE: 2014/07/01 DATE:	MATERIAL NO. 1510312001		DOCUMENT NO. SD-151031-0001
			12			SIZE A3	THIS DRAWING CONTAINS INFORMATION THAT IS PROPRIETARY TO MOLEX INCORPORATED AND SHOULD NOT BE USED WITHOUT WRITTEN PERMISSION		

151031 FRAME SOLDERING AREA: 




DETAIL1

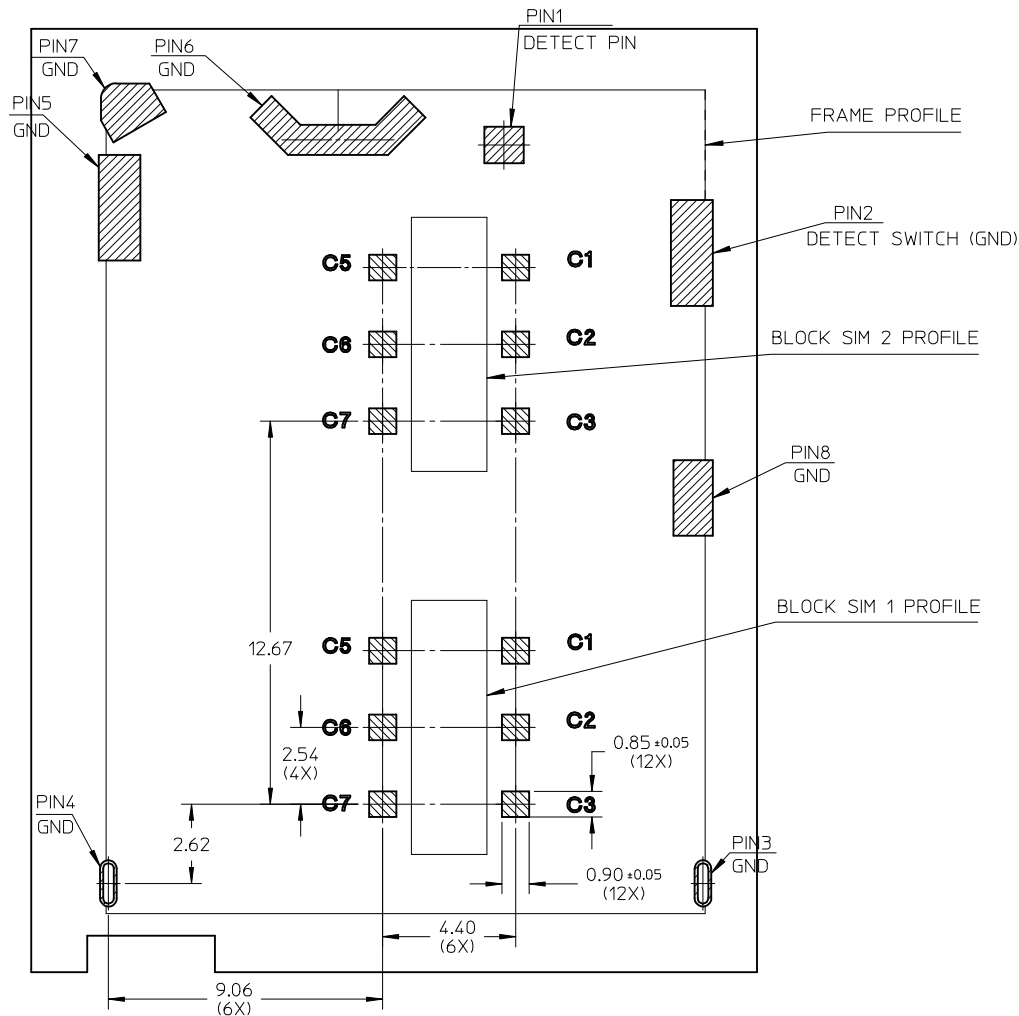


THIS DESIGN IS BASED ON DESIGN OBJECTIVES AND IS STRICTLY TENTATIVE. IT MAY CHANGE BASED ON RESULTS OF ADDITIONAL DESIGN REVIEWS & VERIFICATIONS.

RECOMMENDED PCB LAYOUT: TOLERANCE ±0.05  
 RECOMMENDED PCB THICKNESS: 1.00MM  
 RECOMMENDED STENCIL THICKNESS: 0.10MM

SEE SHEET 1 EC NO: S2015-1182 DRWN: JZENG CHKD: JTAN02 APPR: KHLIM	2015/06/29 2015/07/07 2015/07/22	DESCRIPTION	QUALITY SYMBOLS	GENERAL TOLERANCES (UNLESS SPECIFIED)	DIMENSION STYLE	SCALE	DESIGN UNITS	THIRD ANGLE PROJECTION			
			$F_A=0$ $F_C=0$ $F_P=0$	mm INCH 4 PLACES ± --- ± --- 3 PLACES ± --- ± --- 2 PLACES ± 0.20 ± --- 1 PLACE ± 0.20 ± --- 0 PLACE ± --- ± ---	MM ONLY	NTS	METRIC	DRAWN BY: JZENG CHECKED BY: JTAN02 APPROVED BY:	DATE: 2014/07/01 DATE: 2014/07/01 DATE:	TITLE	DUAL SIM FRAME CONNECTOR 1.43H
			ANGULAR ± 3 ° DRAFT WHERE APPLICABLE MUST REMAIN WITHIN DIMENSIONS	MATERIAL NO. 1510312001	DOCUMENT NO. SD-151031-0001	SHEET NO. 4 OF 5					
			SIZE A3	THIS DRAWING CONTAINS INFORMATION THAT IS PROPRIETARY TO MOLEX INCORPORATED AND SHOULD NOT BE USED WITHOUT WRITTEN PERMISSION							

151031 FRAME SOLDERING AREA:   
 151130 BLOCK SIM SOLDERING AREA: 



THIS DESIGN IS BASED ON DESIGN OBJECTIVES AND IS STRICTLY TENTATIVE. IT MAY CHANGE BASED ON RESULTS OF ADDITIONAL DESIGN REVIEWS & VERIFICATIONS.

RECOMMENDED PCB LAYOUT: TOLERANCE ±0.05  
 RECOMMENDED PCB THICKNESS: 1.0MM  
 RECOMMENDED STENCIL THICKNESS: 0.10MM

SEE SHEET 1 EC NO: S2015-1182 DRWN: JZENG CHKD: JTAN02 APPR: KHLIM	2015/06/29 2015/07/07 2015/07/22	DESCRIPTION	QUALITY SYMBOLS	GENERAL TOLERANCES (UNLESS SPECIFIED)	DIMENSION STYLE	SCALE	DESIGN UNITS	THIRD ANGLE PROJECTION
			$F_A=0$ $F_C=0$ $F_P=0$	mm    INCH 4 PLACES ± --- ± --- 3 PLACES ± --- ± --- 2 PLACES ± 0.20 ± --- 1 PLACE ± 0.20 ± --- 0 PLACE ± --- ± ---	MM ONLY	NTS	METRIC	
			ANGULAR ± 3 ° DRAFT WHERE APPLICABLE MUST REMAIN WITHIN DIMENSIONS	DRAWN BY: JZENG CHECKED BY: JTAN02 APPROVED BY:	DATE: 2014/07/01	TITLE: DUAL SIM FRAME CONNECTOR 1.43H		
			MATERIAL NO. 1510312001 DOCUMENT NO. SD-151031-0001 SHEET NO. 5 OF 5					



THIS DRAWING CONTAINS INFORMATION THAT IS PROPRIETARY TO MOLEX INCORPORATED AND SHOULD NOT BE USED WITHOUT WRITTEN PERMISSION

## **О компании**

ООО "ТрейдЭлектроникс" - это оперативные поставки широкого спектра электронных компонентов отечественного и импортного производства напрямую от производителей и с крупнейших мировых складов. Реализуемая нашей компанией продукция насчитывает более полумиллиона наименований.

Благодаря этому наша компания предлагает к поставке практически не ограниченный ассортимент компонентов как оптовыми, мелкооптовыми партиями, так и в розницу.

Наличие собственной эффективной системы логистики обеспечивает надежную поставку продукции по конкурентным ценам в точно указанные сроки.

Срок поставки со стоков в **Европе и Америке – от 3 до 14 дней.**

Срок поставки из **Азии – от 10 дней.**

Благодаря развитой сети поставщиков, помогаем в поиске и приобретении экзотичных или снятых с производства компонентов.

Предоставляем спец цены на элементы для создания инженерных сэмплов.

**Упорный труд, качественный результат дают нам право быть уверенными в себе и надежными для наших клиентов.**

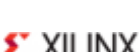
### **Наша компания это:**

- Гарантия качества поставляемой продукции
- Широкий ассортимент
- Минимальные сроки поставок
- Техническая поддержка
- Подбор комплектации
- Индивидуальный подход
- Гибкое ценообразование

Наша организация особенно сильна в поставках модулей, микросхем, пассивных компонентов, ксайленсах (XC), EPF, EPM и силовой электроники.

Большой выбор предлагаемой продукции, различные виды оплаты и доставки, позволят Вам сэкономить время и получить максимум выгоды от сотрудничества с нами!

## Перечень производителей, продукцию которых мы поставляем на российский рынок



С удовольствием будем прорабатывать для Вас поставки всех необходимых компонентов по текущим запросам для скорейшего выявления групп элементов, по которым сотрудничество именно с нашей компанией будет для Вас максимально выгодным!

С уважением,

Менеджер отдела продаж ООО

«Трейд Электроникс»

Шишлаков Евгений

8 (495)668-30-28 доб 169

manager28@tradeelectronics.ru

<http://www.tradeelectronics.ru/>