

Description

The GM7800 series are classic regulators, which are useful in a wide range of applications. For example, you can use them for local on-card regulation to eliminate the distribution and problems associated with single point regulation.

The wide range of output voltages (5V to 27V) make them useful in an endless list of applications. Although designed as fixed voltage regulators, you can add a few external components to make adjustable voltages and currents.

Current limiting prevents the peak output current to a safe value. Safe-area protection of the output transistor limits internal power dissipation. If internal power dissipation becomes too high for the heat sinking provided, the thermal shutdown circuit activates to prevent the regulator from overheating. These versatile workhorses are easy to use. You do not need to bypass the output, although this does improve transient response. Input bypass is needed only if you place the regulator far from the filter capacitor of the power supply.

The GM7800 series is available in TO-220, TO-252 and TO-263 packages.

Features

- ◆ Output current up to 1.5A
- ◆ Output Voltages 5V, 6V, 8V, 8.5V, 9V, 10V, 12V, 15V, 18V, 20V, 24V and 27V
- ◆ 3- Terminal Regulators
- ◆ Internal Thermal Overload Protection
- ◆ Internal Short-Circuit Current Limiting
- ◆ Output Transistor Safe-Area Protection
- ◆ TO-220, TO-252 and TO-263 Packages
- ◆ High Power Dissipation Capability
- ◆ Direct replacements for LM78xx

Application

Post-Regulator Switching DC/DC Converters

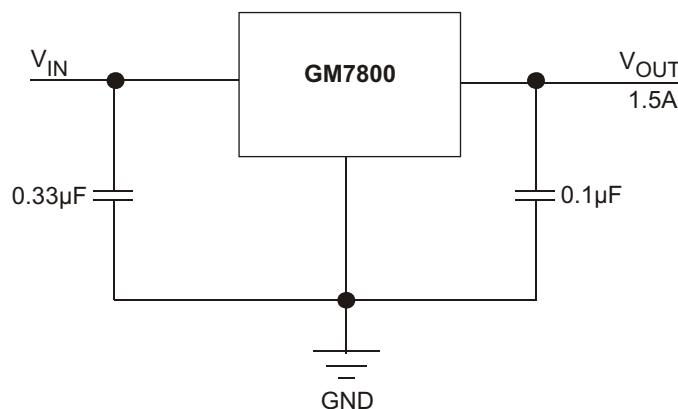
Bias Supply for Analog Circuits

Instrumentation and Audio Systems

Logic Systems

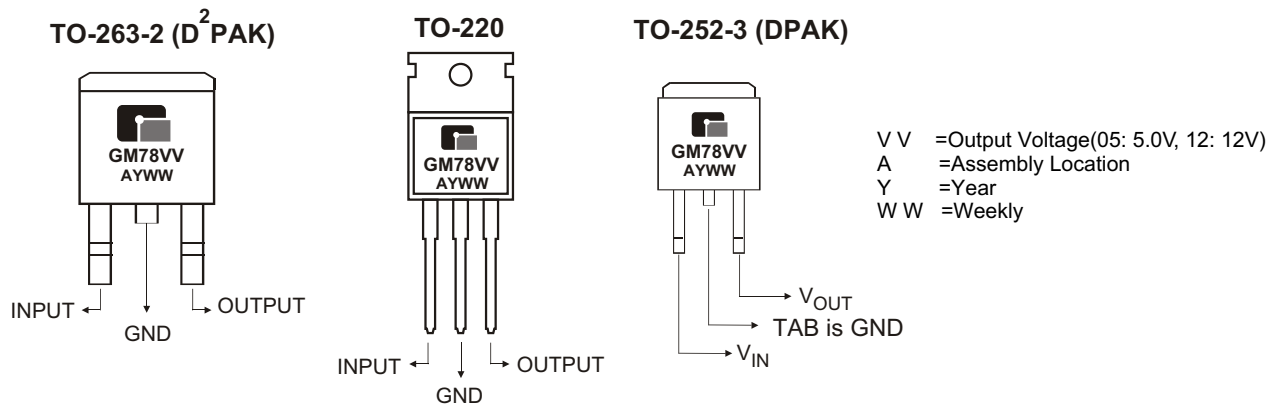
Others too numerous to mention

TYPIC APPLICATION CIRCUITS



For a positive regulator, a 0.33µF bypass capacitor should be used on the input terminals. While not necessary for stability, an output capacitor of 0.1µF may be used to improve the transient response of the regulator. These capacitors should be on or as near as possible to the regulator terminals .

◆ MARKING INFORMATION & PIN CONFIGURATIONS (TOP VIEW)



◆ ORDERING INFORMATION

| Pro Number | V _{OUT} | Package |
|------------|------------------|------------------------|
| GM7805 | 5.0V | TO-263, TO-220, TO-252 |
| GM7806 | 6.0V | TO-263, TO-220, TO-252 |
| GM7808 | 8.0V | TO-263, TO-220, TO-252 |
| GM7885 | 8.5V | TO-263, TO-220, TO-252 |
| GM7809 | 9.0V | TO-263, TO-220, TO-252 |
| GM7810 | 10V | TO-263, TO-220, TO-252 |
| GM7812 | 12V | TO-263, TO-220, TO-252 |
| GM7815 | 15V | TO-263, TO-220, TO-252 |
| GM7818 | 18V | TO-263, TO-220, TO-252 |
| GM7820 | 20V | TO-263, TO-220, TO-252 |
| GM7824 | 24V | TO-263, TO-220, TO-252 |
| GM7827 | 27V | TO-263, TO-220, TO-252 |

* For detail Ordering Number identification, please see last page.

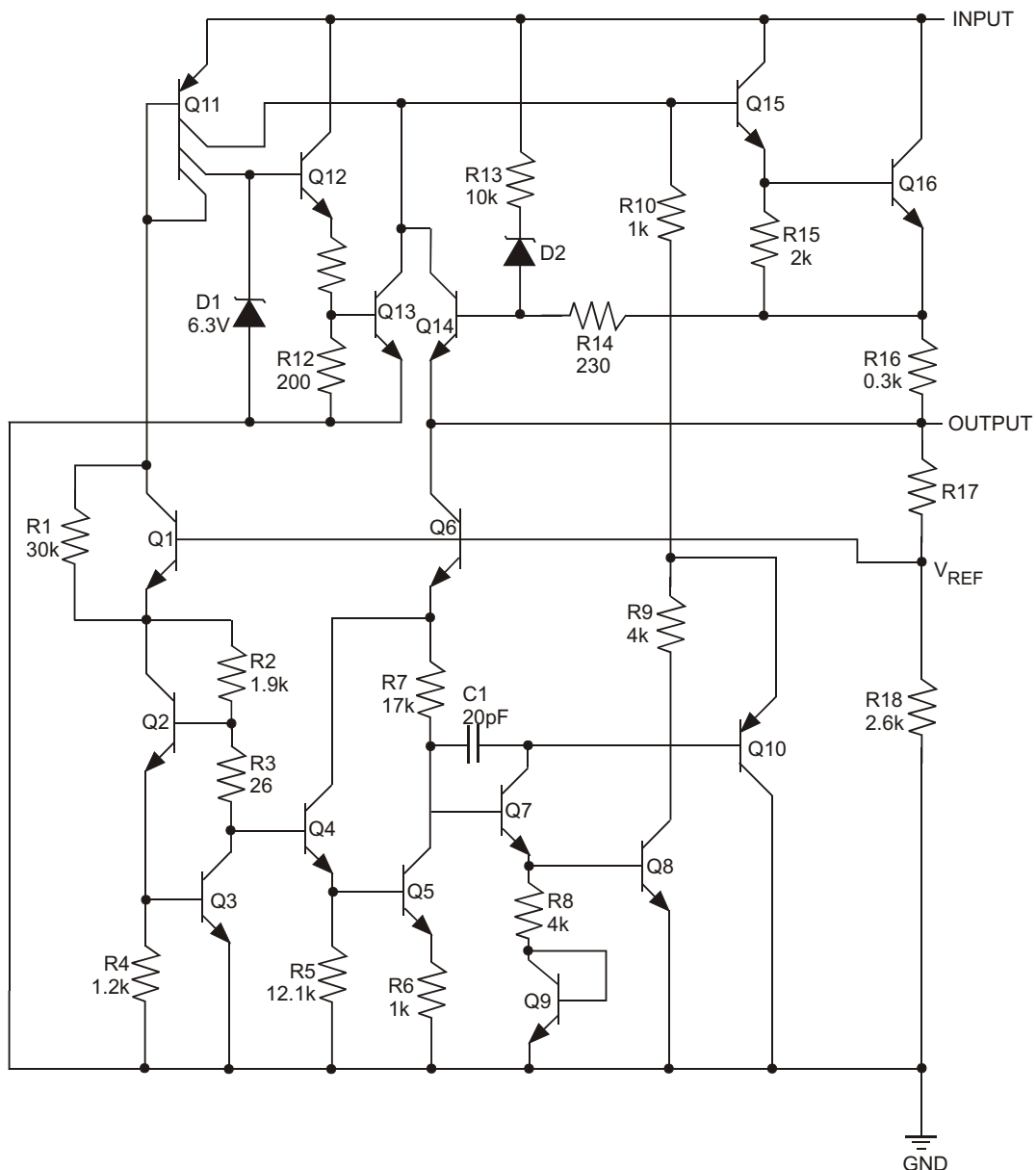
◆ RECOMMENDED OPERATING CONDITIONS (I_O = 1.5A)

| PARAMETER | | MIN | MAX | UNIT |
|--|--------|------|-----|------|
| Input Voltage V _I | GM7805 | 7 | 25 | V |
| | GM7806 | 8 | 25 | |
| | GM7808 | 10.5 | 25 | |
| | GM7885 | 10.5 | 25 | |
| | GM7809 | 11.5 | 27 | |
| | GM7810 | 12.5 | 28 | |
| | GM7812 | 14.5 | 30 | |
| | GM7815 | 17.5 | 30 | |
| | GM7818 | 21 | 33 | |
| | GM7820 | 23 | 36 | |
| | GM7824 | 27 | 38 | |
| | GM7827 | 30 | 40 | |
| Output Current, I _O | | | 1.5 | A |
| Operating virtual junction temperature, T _J | | 0 | 125 | °C |

◆ ABSOLUTE MAXIMUM RATINGS

| PARAMETER | VALUE | UNIT |
|--|----------------|------|
| Input Voltage | GM7824, GM7827 | 40 |
| | All others | 35 |
| Continuous Total Dissipation at 25°C free-air temperature | 2 | W |
| Continuous Total Dissipation at (or below) 25°C case Temperature | 15 | |
| Operating free-air, case, or virtual junctions Temperature Range | 0 to +150 | °C |
| Storage Temperature Range | -65 to +150 | |
| Lead Temperature 1.6mm (1/16 inch) from case for 10seconds | 260 | |

◆ SCHEMATIC BLOCK DIAGRAM



◆ ELECTRICAL CHARACTERISTICS at specified Junction Temperature
GM7805: $V_I = 10V$, $I_O = 500mA$, (unless otherwise noted)

| CHARACTERISTICS | TEST CONDITIONS * | MIN | TYP | MAX | UNIT | |
|--|--|--------------|------|-------|-------|------|
| Output Voltage ** | 25°C | 4.8 | 5.0 | 5.2 | V | |
| | $I_O = 5mA$ to 1A $V_I = 7V$ to 20V, $P \leq 15W$ | 0°C to 125°C | 4.75 | 5.0 | | 5.25 |
| Input Regulation | $V_I = 7V$ to 25V | 25°C | | 3 | 100 | mV |
| | $V_I = 8V$ to 12V | | | 1 | 50 | |
| Ripple Rejection | $V_I = 8V$ to 18V, $f = 120Hz$ | 0°C to 125°C | 62 | 78 | dB | |
| Output Regulation | $I_O = 5mA$ to 1.5A | 25°C | | 15 | 100 | mV |
| | $I_O = 250mA$ to 750mA | | | 5 | 50 | |
| Output Resistance | $f = 1kHz$ | 0°C to 125°C | | 0.017 | | |
| Temperature Coefficient Output Voltage | $I_O = 5mA$ | 0°C to 125°C | | -1.1 | mV/°C | |
| Output Noise Voltage | $f = 10Hz$ to 100kHz | 25°C | | 40 | µV | |
| Dropout Voltage | $I_O = 1A$ | 25°C | | 2.0 | V | |
| Bias Current | | 25°C | | 4.2 | 8 | mA |
| Bias Current Change | $V_I = 7V$ to 25V | 0°C to 125°C | | | 1.3 | mA |
| | $I_O = 5mA$ to 1A | | | | 0.5 | |
| Short-Circuit Output Current | | 25°C | | 750 | mA | |
| Peak Output Current | | 25°C | | 2.2 | A | |

GM7806: $V_I = 11V$, $I_O = 500mA$, (unless otherwise noted)

| CHARACTERISTICS | TEST CONDITIONS * | MIN | TYP | MAX | UNIT | |
|--|--|--------------|-----|-------|-------|-----|
| Output Voltage ** | 25°C | 5.75 | 6 | 6.25 | V | |
| | $I_O = 5mA$ to 1A $V_I = 8V$ to 21V, $P \leq 15W$ | 0°C to 125°C | 5.7 | 6 | | 6.3 |
| Input Regulation | $V_I = 8V$ to 25V | 25°C | | 5 | 120 | mV |
| | $V_I = 9V$ to 13V | | | 1.5 | 60 | |
| Ripple Rejection | $V_I = 9V$ to 19V, $f = 120Hz$ | 0°C to 125°C | 59 | 75 | dB | |
| Output Regulation | $I_O = 5mA$ to 1.5A | 25°C | | 14 | 120 | mV |
| | $I_O = 250mA$ to 750mA | | | 4 | 60 | |
| Output Resistance | $f = 1kHz$ | 0°C to 125°C | | 0.019 | | |
| Temperature Coefficient Output Voltage | $I_O = 5mA$ | 0°C to 125°C | | -0.8 | mV/°C | |
| Output Noise Voltage | $f = 10Hz$ to 100kHz | 25°C | | 45 | µV | |
| Dropout Voltage | $I_O = 1A$ | 25°C | | 2.0 | V | |
| Bias Current | | 25°C | | 4.3 | 8 | mA |
| Bias Current Change | $V_I = 8V$ to 25V | 0°C to 125°C | | | 1.3 | mA |
| | $I_O = 5mA$ to 1A | | | | 0.5 | |
| Short-Circuit Output Current | | 25°C | | 550 | mA | |
| Peak Output Current | | 25°C | | 2.2 | A | |

*Pulse testing techniques are used to maintain the junction temperature as close to the ambient temperature as possible. Thermal effects must be taken into account.

** The specification applies only for DC power dissipation permitted by absolute maximum ratings

◆ ELECTRICAL CHARACTERISTICS at specified Junction Temperature
GM7808: $V_I=14V$, $I_O=500mA$, (unless otherwise noted)

| CHARACTERISTICS | TEST CONDITIONS * | MIN | TYP | MAX | UNIT |
|--|---|--------------------------------|-------|-----|-----------------|
| Output Voltage ** | $25^{\circ}C$ | 7.7 | 8 | 8.3 | V |
| | $I_O=5mA$ to 1A $V_I=10.5V$ to 23V, $P \leq 15W$ $0^{\circ}C$ to $125^{\circ}C$ | 7.6 | 8 | 8.4 | |
| Input Regulation | $V_I=10.5V$ to 25V | | 6 | 160 | mV |
| | $V_I=11V$ to 17V | | 2 | 80 | |
| Ripple Rejection | $V_I=11.5V$ to 21.5V, $f = 120Hz$ $0^{\circ}C$ to $125^{\circ}C$ | 55 | 72 | | dB |
| Output Regulation | $I_O=5mA$ to 1.5A | $25^{\circ}C$ | 12 | 160 | mV |
| | $I_O=250mA$ to 750mA | | 4 | 80 | |
| Output Resistance | $f = 1kHz$ $0^{\circ}C$ to $125^{\circ}C$ | | 0.016 | | |
| Temperature Coefficient Output Voltage | $I_O=5mA$ $0^{\circ}C$ to $125^{\circ}C$ | | -0.8 | | mV/ $^{\circ}C$ |
| Output Noise Voltage | $f = 10Hz$ to 100kHz $25^{\circ}C$ | | 52 | | μV |
| Dropout Voltage | $I_O=1A$ $25^{\circ}C$ | | 2.0 | | V |
| Bias Current | $25^{\circ}C$ | | 4.3 | 8 | mA |
| Bias Current Change | $V_I=10.5V$ to 25V | $0^{\circ}C$ to $125^{\circ}C$ | | 1.0 | mA |
| | $I_O=5mA$ to 1A | | | 0.5 | |
| Short-Circuit Output Current | $25^{\circ}C$ | | 450 | | mA |
| Peak Output Current | $25^{\circ}C$ | | 2.2 | | A |

GM7885: $V_I=15V$, $I_O=500mA$, (unless otherwise noted)

| CHARACTERISTICS | TEST CONDITIONS * | MIN | TYP | MAX | UNIT |
|--|---|--------------------------------|-------|------|-----------------|
| Output Voltage ** | $25^{\circ}C$ | 8.15 | 8.5 | 8.85 | V |
| | $I_O=5mA$ to 1A $V_I=11.5V$ to 23.5V, $P \leq 15W$ $0^{\circ}C$ to $125^{\circ}C$ | 8.1 | 8.5 | 8.9 | |
| Input Regulation | $V_I=10.5V$ to 25V | $25^{\circ}C$ | 6 | 170 | mV |
| | $V_I=11V$ to 17V | | 2 | 85 | |
| Ripple Rejection | $V_I=11.5V$ to 21.5V, $f = 120Hz$ $0^{\circ}C$ to $125^{\circ}C$ | 54 | 70 | | dB |
| Output Regulation | $I_O=5mA$ to 1.5A | $25^{\circ}C$ | 12 | 170 | mV |
| | $I_O=250mA$ to 750mA | | 4 | 85 | |
| Output Resistance | $f = 1kHz$ $0^{\circ}C$ to $125^{\circ}C$ | | 0.016 | | |
| Temperature Coefficient Output Voltage | $I_O=5mA$ $0^{\circ}C$ to $125^{\circ}C$ | | -0.8 | | mV/ $^{\circ}C$ |
| Output Noise Voltage | $f = 10Hz$ to 100kHz $25^{\circ}C$ | | 55 | | μV |
| Dropout Voltage | $I_O=1A$ $25^{\circ}C$ | | 2.0 | | V |
| Bias Current | $25^{\circ}C$ | | 4.3 | 8 | mA |
| Bias Current Change | $V_I=10.5V$ to 25V | $0^{\circ}C$ to $125^{\circ}C$ | | 1.0 | mA |
| | $I_O=5mA$ to 1A | | | 0.5 | |
| Short-Circuit Output Current | $25^{\circ}C$ | | 450 | | mA |
| Peak Output Current | $25^{\circ}C$ | | 2.2 | | A |

*Pulse testing techniques are used to maintain the junction temperature as close to the ambient temperature as possible. Thermal effects must be taken into account.

** The specification applies only for DC power dissipation permitted by absolute maximum ratings

◆ ELECTRICAL CHARACTERISTICS at specified Junction Temperature
GM7809: $V_I=16V$, $I_O=500mA$, (unless otherwise noted)

| CHARACTERISTICS | TEST CONDITIONS * | | MIN | TYP | MAX | UNIT |
|--|---|--------------|------|-------|------|-------|
| Output Voltage ** | | 25°C | 8.65 | 9 | 9.35 | V |
| | $I_O=5mA$ to 1A $V_I=11.5V$ to 24V, $P \leq 15W$ | 0°C to 125°C | 8.55 | 9 | 9.45 | |
| Input Regulation | $V_I=11.5V$ to 27V | 25°C | | 7 | 180 | mV |
| | $V_I=13V$ to 19V | | | 2 | 90 | |
| Ripple Rejection | $V_I=12V$ to 22V, $f = 120Hz$ | 0°C to 125°C | 55 | 70 | | dB |
| Output Regulation | $I_O=5mA$ to 1.5A | 25°C | | 12 | 180 | mV |
| | $I_O=250mA$ to 750mA | | | 4 | 90 | |
| Output Resistance | $f = 1kHz$ | 0°C to 125°C | | 0.018 | | |
| Temperature Coefficient Output Voltage | $I_O=5mA$ | 0°C to 125°C | | -1.0 | | mV/°C |
| Output Noise Voltage | $f = 10Hz$ to 100kHz | 25°C | | 60 | | µV |
| Dropout Voltage | $I_O=1A$ | 25°C | | 2.0 | | V |
| Bias Current | | 25°C | | 4.3 | 8 | mA |
| Bias Current Change | $V_I=11.5V$ to 27V | 0°C to 125°C | | | 1.0 | mA |
| | $I_O=5mA$ to 1A | | | | 0.5 | |
| Short-Circuit Output Current | | 25°C | | 400 | | mA |
| Peak Output Current | | 25°C | | 2.2 | | A |

GM7810: $V_I=17V$, $I_O=500mA$, (unless otherwise noted)

| CHARACTERISTICS | TEST CONDITIONS * | | MIN | TYP | MAX | UNIT |
|--|---|--------------|-----|-------|------|-------|
| Output Voltage ** | | 25°C | 9.6 | 10 | 10.4 | V |
| | $I_O=5mA$ to 1A $V_I=12.5V$ to 25V, $P \leq 15W$ | 0°C to 125°C | 9.5 | 10 | 10.5 | |
| Input Regulation | $V_I=12.5V$ to 28V | 25°C | | 7 | 200 | mV |
| | $V_I=14V$ to 20V | | | 2 | 100 | |
| Ripple Rejection | $V_I=13V$ to 23V, $f = 120Hz$ | 0°C to 125°C | 55 | 71 | | dB |
| Output Regulation | $I_O=5mA$ to 1.5A | 25°C | | 12 | 200 | mV |
| | $I_O=250mA$ to 750mA | | | 4 | 100 | |
| Output Resistance | $f = 1kHz$ | 0°C to 125°C | | 0.018 | | |
| Temperature Coefficient Output Voltage | $I_O=5mA$ | 0°C to 125°C | | -1.0 | | mV/°C |
| Output Noise Voltage | $f = 10Hz$ to 100kHz | 25°C | | 70 | | µV |
| Dropout Voltage | $I_O=1A$ | 25°C | | 2.0 | | V |
| Bias Current | | 25°C | | 4.3 | 8 | mA |
| Bias Current Change | $V_I=12.5V$ to 28V | 0°C to 125°C | | | 1.0 | mA |
| | $I_O=5mA$ to 1A | | | | 0.5 | |
| Short-Circuit Output Current | | 25°C | | 400 | | mA |
| Peak Output Current | | 25°C | | 2.2 | | A |

*Pulse testing techniques are used to maintain the junction temperature as close to the ambient temperature as possible. Thermal effects must be taken into account.

** The specification applies only for DC power dissipation permitted by absolute maximum ratings

◆ ELECTRICAL CHARACTERISTICS at specified Junction Temperature
GM7812: $V_I=19V$, $I_O=500mA$, (unless otherwise noted)

| CHARACTERISTICS | TEST CONDITIONS * | MIN | TYP | MAX | UNIT | |
|--|---|--------------|------|-------|------|-------|
| Output Voltage ** | | 25°C | 11.5 | 12 | 12.5 | V |
| | $I_O=5mA$ to 1A $V_I=14.5V$ to 27V, $P \leq 15W$ | 0°C to 125°C | 11.4 | 12 | 12.6 | |
| Input Regulation | $V_I=14.5V$ to 30V | 25°C | | 10 | 240 | mV |
| | $V_I=16V$ to 22V | | | 3 | 120 | |
| Ripple Rejection | $V_I=15V$ to 25V, $f = 120Hz$ | 0°C to 125°C | 55 | 71 | | dB |
| Output Regulation | $I_O=5mA$ to 1.5A | 25°C | | 12 | 240 | mV |
| | $I_O=250mA$ to 750mA | | | 4 | 120 | |
| Output Resistance | $f = 1kHz$ | 0°C to 125°C | | 0.018 | | |
| Temperature Coefficient Output Voltage | $I_O=5mA$ | 0°C to 125°C | | -1.0 | | mV/°C |
| Output Noise Voltage | $f = 10Hz$ to 100kHz | 25°C | | 75 | | µV |
| Dropout Voltage | $I_O=1A$ | 25°C | | 2.0 | | V |
| Bias Current | | 25°C | | 4.3 | 8 | mA |
| Bias Current Change | $V_I=14.5V$ to 30V | 0°C to 125°C | | | 1.0 | mA |
| | $I_O=5mA$ to 1A | | | | 0.5 | |
| Short-Circuit Output Current | | 25°C | | 350 | | mA |
| Peak Output Current | | 25°C | | 2.2 | | A |

GM7815: $V_I=23V$, $I_O=500mA$, (unless otherwise noted)

| CHARACTERISTICS | TEST CONDITIONS * | MIN | TYP | MAX | UNIT | |
|--|---|--------------|-------|-------|-------|-------|
| Output Voltage ** | | 25°C | 14.4 | 15 | 15.6 | V |
| | $I_O=5mA$ to 1A $V_I=17.5V$ to 30V, $P \leq 15W$ | 0°C to 125°C | 14.25 | 15 | 15.75 | |
| Input Regulation | $V_I=17.5V$ to 30V | 25°C | | 12 | 300 | mV |
| | $V_I=20V$ to 26V | | | 3 | 150 | |
| Ripple Rejection | $V_I=18.5V$ to 28.5V, $f = 120Hz$ | 0°C to 125°C | 54 | 70 | | dB |
| Output Regulation | $I_O=5mA$ to 1.5A | 25°C | | 12 | 300 | mV |
| | $I_O=250mA$ to 750mA | | | 4 | 150 | |
| Output Resistance | $f = 1kHz$ | 0°C to 125°C | | 0.019 | | |
| Temperature Coefficient Output Voltage | $I_O=5mA$ | 0°C to 125°C | | -1.0 | | mV/°C |
| Output Noise Voltage | $f = 10Hz$ to 100kHz | 25°C | | 90 | | µV |
| Dropout Voltage | $I_O=1A$ | 25°C | | 2.0 | | V |
| Bias Current | | 25°C | | 4.3 | 8 | mA |
| Bias Current Change | $V_I=17.5V$ to 30V | 0°C to 125°C | | | 1.0 | mA |
| | $I_O=5mA$ to 1A | | | | 0.5 | |
| Short-Circuit Output Current | | 25°C | | 230 | | mA |
| Peak Output Current | | 25°C | | 2.1 | | A |

*Pulse testing techniques are used to maintain the junction temperature as close to the ambient temperature as possible. Thermal effects must be taken into account.

** The specification applies only for DC power dissipation permitted by absolute maximum ratings

◆ ELECTRICAL CHARACTERISTICS at specified Junction Temperature
GM7818: $V_i=27V$, $I_o=500mA$, (unless otherwise noted)

| CHARACTERISTICS | TEST CONDITIONS * | | MIN | TYP | MAX | UNIT |
|--|---|--------------|------|-------|------|-------|
| Output Voltage ** | | 25°C | 17.3 | 18 | 18.7 | V |
| | $I_o=5mA$ to 1A $V_i=21V$ to 33V, $P \leq 15W$ | 0°C to 125°C | 17.1 | 18 | 18.9 | |
| Input Regulation | $V_i=21V$ to 33V | 25°C | | 15 | 360 | mV |
| | $V_i=24V$ to 30V | | | 5 | 180 | |
| Ripple Rejection | $V_i=22V$ to 32V, $f = 120Hz$ | 0°C to 125°C | 53 | 69 | | dB |
| Output Regulation | $I_o=5mA$ to 1.5A | 25°C | | 12 | 360 | mV |
| | $I_o=250mA$ to 750mA | | | 4 | 180 | |
| Output Resistance | $f = 1kHz$ | 0°C to 125°C | | 0.022 | | |
| Temperature Coefficient Output Voltage | $I_o=5mA$ | 0°C to 125°C | | -1.0 | | mV/°C |
| Output Noise Voltage | $f = 10Hz$ to 100kHz | 25°C | | 110 | | µV |
| Dropout Voltage | $I_o=1A$ | 25°C | | 2.0 | | V |
| Bias Current | | 25°C | | 4.5 | 8 | mA |
| Bias Current Change | $V_i=21V$ to 33V | 0°C to 125°C | | | 1.0 | mA |
| | $I_o=5mA$ to 1A | | | | 0.5 | |
| Short-Circuit Output Current | | 25°C | | 200 | | mA |
| Peak Output Current | | 25°C | | 2.1 | | A |

GM7820: $V_i=29V$, $I_o=500mA$, (unless otherwise noted)

| CHARACTERISTICS | TEST CONDITIONS * | | MIN | TYP | MAX | UNIT |
|--|---|--------------|------|-------|------|-------|
| Output Voltage ** | | 25°C | 19.2 | 20 | 20.8 | V |
| | $I_o=5mA$ to 1A $V_i=23V$ to 35V, $P \leq 15W$ | 0°C to 125°C | 19 | 20 | 21 | |
| Input Regulation | $V_i=23V$ to 35V | 25°C | | 18 | 400 | mV |
| | $V_i=26V$ to 32V | | | 7 | 200 | |
| Ripple Rejection | $V_i=24V$ to 34V, $f = 120Hz$ | 0°C to 125°C | 51 | 66 | | dB |
| Output Regulation | $I_o=5mA$ to 1.5A | 25°C | | 15 | 400 | mV |
| | $I_o=250mA$ to 750mA | | | 7 | 200 | |
| Output Resistance | $f = 1kHz$ | 0°C to 125°C | | 0.027 | | |
| Temperature Coefficient Output Voltage | $I_o=5mA$ | 0°C to 125°C | | -1.3 | | mV/°C |
| Output Noise Voltage | $f = 10Hz$ to 100kHz | 25°C | | 150 | | µV |
| Dropout Voltage | $I_o=1A$ | 25°C | | 2.0 | | V |
| Bias Current | | 25°C | | 4.5 | 8 | mA |
| Bias Current Change | $V_i=23V$ to 35V | 0°C to 125°C | | | 1.0 | mA |
| | $I_o=5mA$ to 1A | | | | 0.5 | |
| Short-Circuit Output Current | | 25°C | | 180 | | mA |
| Peak Output Current | | 25°C | | 2.1 | | A |

*Pulse testing techniques are used to maintain the junction temperature as close to the ambient temperature as possible. Thermal effects must be taken into account.

** The specification applies only for DC power dissipation permitted by absolute maximum ratings

◆ ELECTRICAL CHARACTERISTICS at specified Junction Temperature
GM7824: $V_I=33V$, $I_O=500mA$, (unless otherwise noted)

| CHARACTERISTICS | TEST CONDITIONS * | MIN | TYP | MAX | UNIT | |
|--|---|--------------|------|-------|------|-------|
| Output Voltage ** | | 25°C | 23 | 24 | 25 | V |
| | $I_O=5mA$ to 1A $V_I=27V$ to 38V, $P \leq 15W$ | 0°C to 125°C | 22.8 | 24 | 25.2 | |
| Input Regulation | $V_I=27V$ to 38V | 25°C | | 18 | 480 | mV |
| | $V_I=30V$ to 36V | | | 6 | 240 | |
| Ripple Rejection | $V_I=28V$ to 32V, $f = 120Hz$ | 0°C to 125°C | 50 | 66 | | dB |
| Output Regulation | $I_O=5mA$ to 1.5A | 25°C | | 12 | 480 | mV |
| | $I_O=250mA$ to 750mA | | | 4 | 240 | |
| Output Resistance | $f = 1kHz$ | 0°C to 125°C | | 0.028 | | |
| Temperature Coefficient Output Voltage | $I_O=5mA$ | 0°C to 125°C | | -1.5 | | mV/°C |
| Output Noise Voltage | $f = 10Hz$ to 100kHz | 25°C | | 170 | | µV |
| Dropout Voltage | $I_O=1A$ | 25°C | | 2.0 | | V |
| Bias Current | | 25°C | | 4.6 | 8 | mA |
| Bias Current Change | $V_I=27V$ to 38V | 0°C to 125°C | | | 1.0 | mA |
| | $I_O=5mA$ to 1A | | | | 0.5 | |
| Short-Circuit Output Current | | 25°C | | 150 | | mA |
| Peak Output Current | | 25°C | | 2.1 | | A |

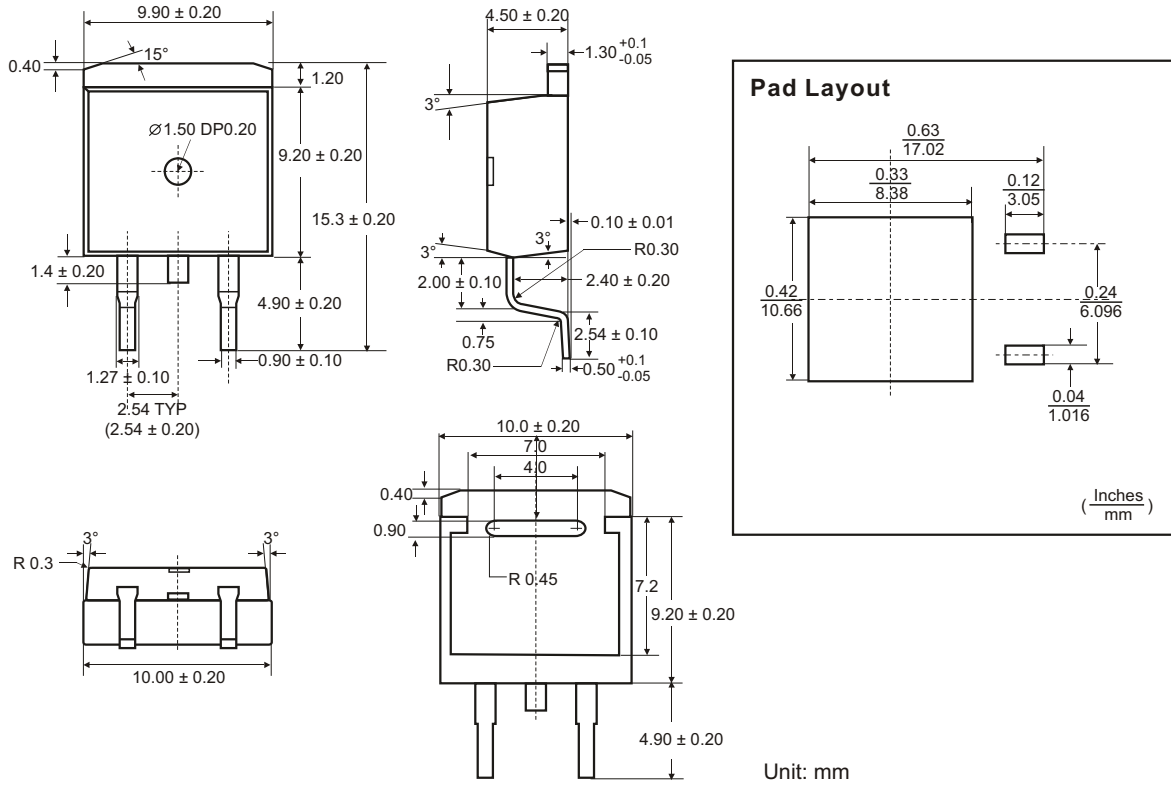
GM7827: $V_I=36V$, $I_O=500mA$, (unless otherwise noted)

| CHARACTERISTICS | TEST CONDITIONS * | MIN | TYP | MAX | UNIT | |
|--|---|--------------|------|-------|------|-------|
| Output Voltage ** | | 25°C | 25.9 | 27 | 28.1 | V |
| | $I_O=5mA$ to 1A $V_I=30V$ to 40V, $P \leq 15W$ | 0°C to 125°C | 25.7 | 27 | 28.3 | |
| Input Regulation | $V_I=30V$ to 40V | 25°C | | 25 | 540 | mV |
| | $V_I=33V$ to 39V | | | 10 | 270 | |
| Ripple Rejection | $V_I=30V$ to 40V, $f = 120Hz$ | 0°C to 125°C | 50 | 64 | | dB |
| Output Regulation | $I_O=5mA$ to 1.5A | 25°C | | 20 | 540 | mV |
| | $I_O=250mA$ to 750mA | | | 9 | 270 | |
| Output Resistance | $f = 1kHz$ | 0°C to 125°C | | 0.030 | | |
| Temperature Coefficient Output Voltage | $I_O=5mA$ | 0°C to 125°C | | -1.6 | | mV/°C |
| Output Noise Voltage | $f = 10Hz$ to 100kHz | 25°C | | 200 | | µV |
| Dropout Voltage | $I_O=1A$ | 25°C | | 2.0 | | V |
| Bias Current | | 25°C | | 4.8 | 8 | mA |
| Bias Current Change | $V_I=30V$ to 40V | 0°C to 125°C | | | 1.0 | mA |
| | $I_O=5mA$ to 1A | | | | 0.5 | |
| Short-Circuit Output Current | | 25°C | | 120 | | mA |
| Peak Output Current | | 25°C | | 2.1 | | A |

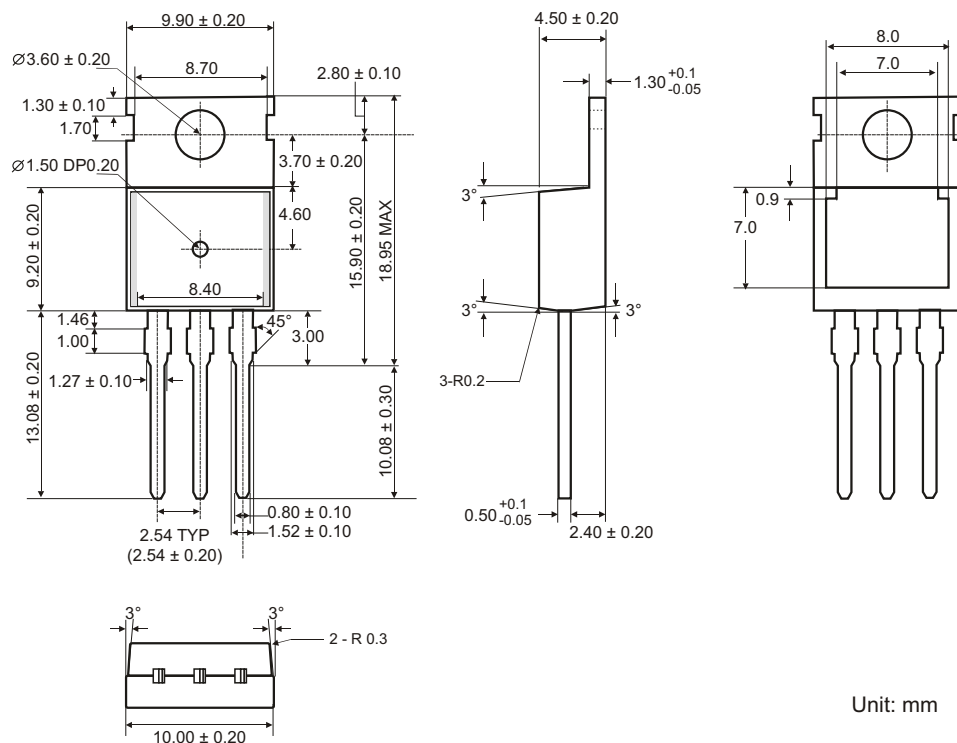
*Pulse testing techniques are used to maintain the junction temperature as close to the ambient temperature as possible. Thermal effects must be taken into account.

** The specification applies only for DC power dissipation permitted by absolute maximum ratings

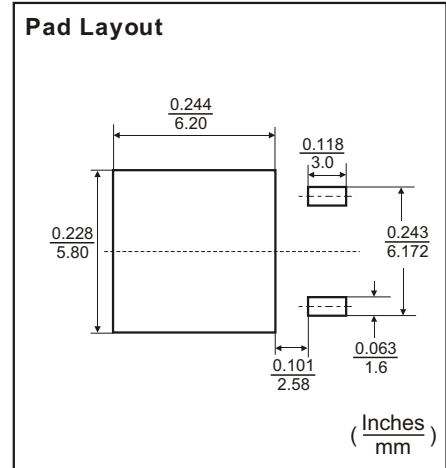
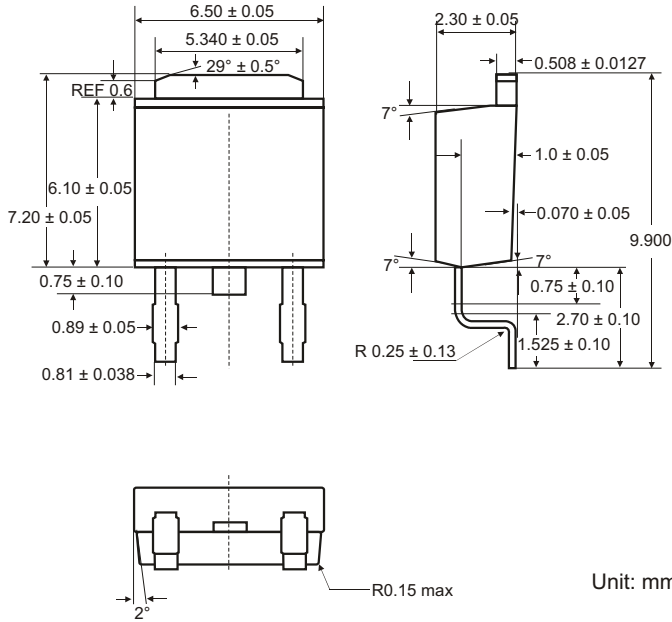
◆ TO-263-2 PACKAGE OUTLINE DIMENSIONS



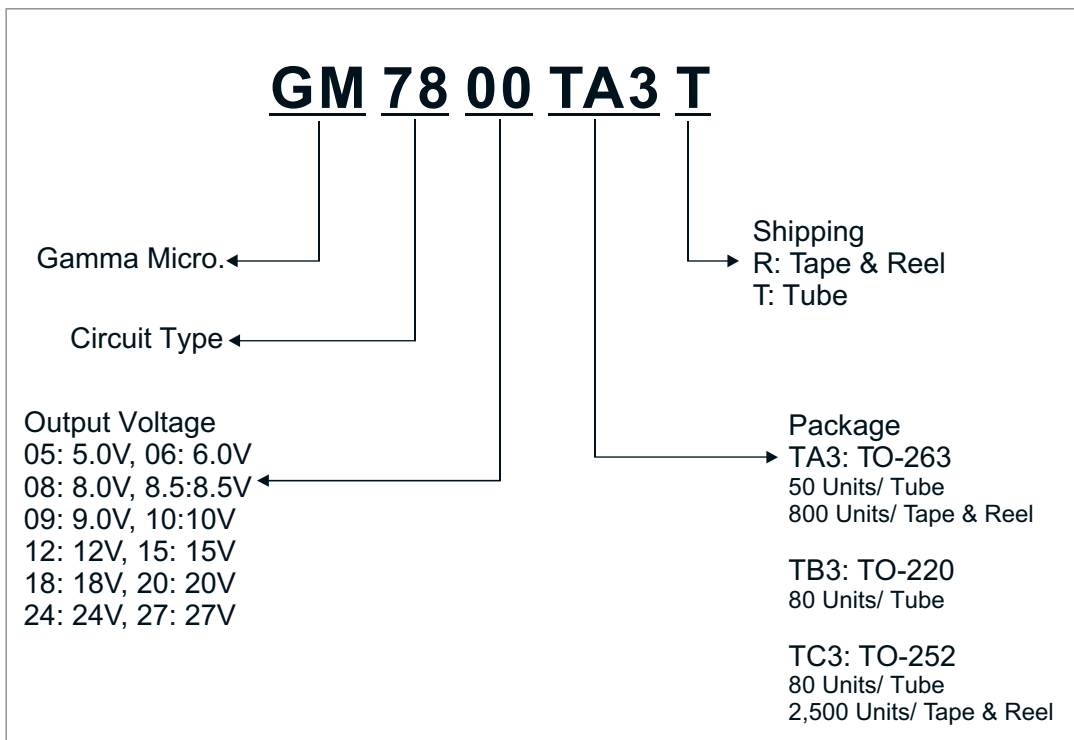
◆ TO-220 PACKAGE OUTLINE DIMENSIONS





◆ TO-252 PACKAGE OUTLINE DIMENSIONS



◆ ORDERING NUMBER



GAMMA Micro, , and  are registered trademarks of GAMMA MICROELECTRONICS INC. GAMMA reserves the right to make changes without further notice to any products herein. Information provided herein is alleged to be exact and consistent and this publication surpasses and replaces all information previously supplied.

GAMMA makes no warranty the suitability of its products for any particular purpose, nor does GAMMA assume any liability arising out of the application or use of any product or circuit, and specifically disclaims any and all liability including without limitation special, consequential or incidental damages.

GAMMA products are not authorized for using as critical components in life support devices or systems without prior written approval from GAMMA MICROELECTRONICS INC.

О компании

ООО "ТрейдЭлектроникс" - это оперативные поставки широкого спектра электронных компонентов отечественного и импортного производства напрямую от производителей и с крупнейших мировых складов. Реализуемая нашей компанией продукция насчитывает более полумиллиона наименований.

Благодаря этому наша компания предлагает к поставке практически не ограниченный ассортимент компонентов как оптовыми, мелкооптовыми партиями, так и в розницу.

Наличие собственной эффективной системы логистики обеспечивает надежную поставку продукции по конкурентным ценам в точно указанные сроки.

Срок поставки со стоков в **Европе и Америке – от 3 до 14 дней.**

Срок поставки из **Азии – от 10 дней.**

Благодаря развитой сети поставщиков, помогаем в поиске и приобретении экзотичных или снятых с производства компонентов.

Предоставляем спец цены на элементы для создания инженерных сэмплов.

Упорный труд, качественный результат дают нам право быть уверенными в себе и надежными для наших клиентов.

Наша компания это:

- Гарантия качества поставляемой продукции
- Широкий ассортимент
- Минимальные сроки поставок
- Техническая поддержка
- Подбор комплектации
- Индивидуальный подход
- Гибкое ценообразование

Наша организация особенно сильна в поставках модулей, микросхем, пассивных компонентов, ксайленсах (XC), EPF, EPM и силовой электроники.

Большой выбор предлагаемой продукции, различные виды оплаты и доставки, позволят Вам сэкономить время и получить максимум выгоды от сотрудничества с нами!

Перечень производителей, продукцию которых мы поставляем на российский рынок



С удовольствием будем прорабатывать для Вас поставки всех необходимых компонентов по текущим запросам для скорейшего выявления групп элементов, по которым сотрудничество именно с нашей компанией будет для Вас максимально выгодным!

С уважением,

Менеджер отдела продаж ООО

«Трейд Электроникс»

Шишлаков Евгений

8 (495)668-30-28 доб 169

manager28@tradeelectronics.ru

<http://www.tradeelectronics.ru/>