

FEATURES

- Pretrimmed to $\pm 0.5\%$ maximum 4-quadrant error
- All inputs (X, Y, and Z) differential, high impedance for $[(X_1 - X_2)(Y_1 - Y_2)/10] + Z_2$ transfer function
- Scale-factor adjustable to provide up to $\times 10$ gain
- Low noise design: 90 mV rms, 10 Hz to 10 kHz
- Low cost, monolithic construction
- Excellent long-term stability

APPLICATIONS

- High quality analog signal processing
- Differential ratio and percentage computations
- Algebraic and trigonometric function synthesis
- Accurate voltage controlled oscillators and filters

GENERAL DESCRIPTION

The AD632 is an internally trimmed monolithic four-quadrant multiplier/divider. The AD632B has a maximum multiplying error of $\pm 0.5\%$ without external trims.

Excellent supply rejection, low temperature coefficients, and long-term stability of the on-chip thin film resistors and buried zener reference preserve accuracy even under adverse conditions. The simplicity and flexibility of use provide an attractive alternative approach to the solution of complex control functions.

The AD632 is pin-for-pin compatible with the industry standard AD532 but with improved specifications and a fully differential high impedance Z input. The AD632 is capable of providing gains of up to $\times 10$, frequently eliminating the need for separate instrumentation amplifiers to precondition the inputs. The AD632 can be effectively employed as a variable gain differential input amplifier with high common-mode

FUNCTIONAL BLOCK DIAGRAM

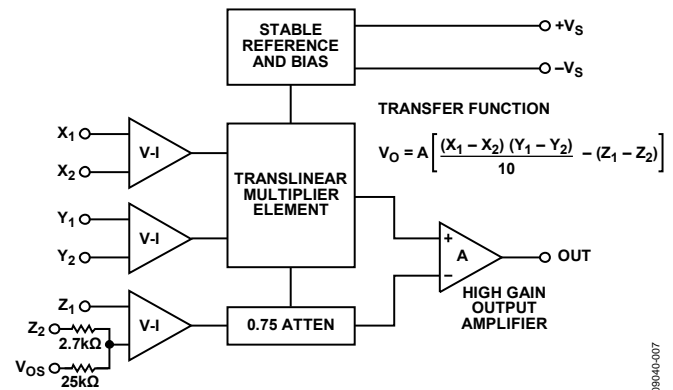


Figure 1.

rejection. The effectiveness of the variable gain capability is enhanced by the inherent low noise of the AD632 at 90 μ V rms.

PRODUCT HIGHLIGHTS

- Guaranteed performance over temperature.
- The AD632A and AD632B are specified for maximum multiplying errors of $\pm 1.0\%$ and $\pm 0.5\%$ of full scale, respectively, at $+25^\circ\text{C}$ and are rated for operation from -25°C to $+85^\circ\text{C}$.
- Maximum multiplying errors of $\pm 2.0\%$ (AD632S) and $\pm 1.0\%$ (AD632T) are guaranteed over the extended temperature range of -55°C to $+125^\circ\text{C}$.
- High reliability.
- The AD632S and AD632T series are available with MIL-STD-883 Level B screening.
- All devices are available in either the hermetically sealed TO-100 metal can or ceramic DIP package.

Rev. C

Information furnished by Analog Devices is believed to be accurate and reliable. However, no responsibility is assumed by Analog Devices for its use, nor for any infringements of patents or other rights of third parties that may result from its use. Specifications subject to change without notice. No license is granted by implication or otherwise under any patent or patent rights of Analog Devices. Trademarks and registered trademarks are the property of their respective owners.

TABLE OF CONTENTS

Features	1	Thermal Resistance	5
Applications.....	1	Pin Configurations and Function Descriptions.....	6
Functional Block Diagram	1	Typical Performance Characteristics	7
General Description	1	Operation As a Multiplier	8
Product Highlights	1	Operation As a Divider.....	9
Revision History	2	Outline Dimensions	10
Specifications.....	3	Ordering Guide	11
Absolute Maximum Ratings.....	5		

REVISION HISTORY

12/11—Rev. B to Rev. C

Updated Format	Universal
Added Figure 1, Renumbered Sequentially	1
Deleted Chip Dimensions and Pad Layout Section	5
Changes to Figure 3 and Figure 4.....	6
Added Table 3 and Table 4	6
Changes to the Operations as a Divider Section	9
Updated Outline Dimensions	10

4/10—Rev. A to Rev. B

Changes to Pin Configurations and Product Highlights Sections	1
Changes to Thermal Characteristics Section.....	3
Updated Outline Dimensions	6
Changes to Ordering Guide	6

SPECIFICATIONS

@ +25°C, $V_S = \pm 15\text{ V}$, $R \geq 2\text{ k}\Omega$, unless otherwise noted. Specifications shown in boldface are tested on all production units at final electrical test. Results from those tests are used to calculate outgoing quality levels.

Table 1.

Parameter	AD632A			AD632B			AD632S			AD632T			Units
	Min	Typ	Max	Min	Typ	Max	Min	Typ	Max	Min	Typ	Max	
MULTIPLIER PERFORMANCE													
Transfer Function	$\frac{(X_1 - X_2)(Y_1 - Y_2)}{10\text{ V}} + Z_2$			$\frac{(X_1 - X_2)(Y_1 - Y_2)}{10\text{ V}} + Z_2$			$\frac{(X_1 - X_2)(Y_1 - Y_2)}{10\text{ V}} + Z_2$			$\frac{(X_1 - X_2)(Y_1 - Y_2)}{10\text{ V}} + Z_2$			
Total Error ¹ (-10 V ≤ X, Y ≤ +10 V) $T_A = \text{Min to Max}$		±1.5	±1.0		±1.0	±0.5		±2.0	±1.0		±0.5	±1.0	%
Total Error vs. Temperature		±0.022			±0.015			±0.02			±0.01		%/°C
Scale Factor Error (SF = 10,000 V Nominal) ²		±0.25			±0.1			±0.25			±0.1		%
Temperature Coefficient of Scaling Voltage		±0.02			±0.01			±0.2			±0.005		%/°C
Supply Rejection (±15 V ± 1 V)		±0.01			±0.01			±0.01			±0.01		%
Nonlinearity													
X (X = 20 V p-p, Y = 10 V)		±0.4			±0.2	±0.3		±0.4			±0.2	±0.3	%
Y (Y = 20 V p-p, X = 10 V)		±0.2			±0.1	±0.1		±0.2			±0.1	±0.1	%
Feedthrough ³													
X (Y Nulled, X = 20 V p-p 50 Hz)		±0.3			±0.15	±0.3		±0.3			±0.15	±0.3	%
Y (X Nulled, Y = 20 V p-p 50 Hz)		±0.01			±0.01	±0.1		±0.01			±0.01	±0.1	%
Output Offset Voltage		±5	±30		±2	±15		±5	±30		±2	±15	mV
Output Offset Voltage Drift		200			100			500			300		μV/°C
DYNAMICS													
Small Signal BW, ($V_{OUT} = 0.1\text{ rms}$)		1			1			1			1		MHz
1% Amplitude Error ($C_{LOAD} = 1000\text{ pF}$)		50			50			50			50		kHz
Slew Rate (V_{OUT} 20 p-p)		20			20			20			20		V/μs
Settling Time (to 1%, $\Delta V_{OUT} = 20\text{ V}$)		2			2			2			2		μs
NOISE													
Noise Spectral Density													
SF = 10 V		0.8			0.8			0.8			0.8		μV/√Hz
SF = 3 V ⁴		0.4			0.4			0.4			0.4		μV/√Hz
Wideband Noise													
A = 10 Hz to 5 MHz		1.0			1.0			1.0			1.0		mV/rms
P = 10 Hz to 10 kHz		90			90			90			90		μV/rms
OUTPUT													
Output Voltage Swing		±11			±11			±11			±11		V
Output Impedance ($f \leq 1\text{ kHz}$)		0.1			0.1			0.1			0.1		Ω
Output Short-Circuit Current ($R_L = 0$, $T_A = \text{Min to Max}$)		30			30			30			30		mA
Amplifier Open-Loop Gain ($f = 50\text{ Hz}$)		70			70			70			70		dB
INPUT AMPLIFIERS (X, Y, and Z)⁵													
Signal Voltage Range (Differential or Common- Mode Operating Diff.)		±10			±10			±10			±10		V
Offset Voltage X, Y		±12			±12			±12			±12		V
Offset Voltage Drift X, Y		±5	±20		±2	±10		±5	±20		±2	±10	mV
Offset Voltage Z		100			50			100			150		μV/°C
Offset Voltage Z		±5	±30		±2	±15		±5	±30		±2	±15	mV
Offset Voltage Drift Z		200			100			500			300		μV/°C

Parameter	AD632A			AD632B			AD632S			AD632T			Units
	Min	Typ	Max	Min	Typ	Max	Min	Typ	Max	Min	Typ	Max	
CMRR	60	80		70	90		60	80		70	90		dM
Bias Current		0.8	2.0		0.8	2.0		0.8	2.0		0.8	2.0	μA
Offset Current		0.1			0.1			0.1			0.1		μA
Differential Resistance		10			10			10			10		MΩ
DIVIDER PERFORMANCE													
Transfer Function ($X_1 > X_2$)	$10V \frac{(Z_2 - Z_1)}{(X_1 - X_2)} + Y_1$			$10V \frac{(Z_2 - Z_1)}{(X_1 - X_2)} + Y_1$			$10V \frac{(Z_2 - Z_1)}{(X_1 - X_2)} + Y_1$			$10V \frac{(Z_2 - Z_1)}{(X_1 - X_2)} + Y_1$			
Total Error ¹													
($X = 10V, -10V \leq Z \leq +10V$)	±0.75			±0.35			±0.75			±0.35			%
($X = 1V, -1V \leq Z \leq +1V$)	±2.0			±1.0			±2.0			±1.0			%
($0.1V \leq X \leq 10V, -10V \leq Z \leq 10V$)	±2.5			±1.0			±2.5			±1.0			%
SQUARER PERFORMANCE													
Transfer Function	$\frac{(X_1 - X_2)^2}{10V} + Z_2$			$\frac{(X_1 - X_2)^2}{10V} + Z_2$			$\frac{(X_1 - X_2)^2}{10V} + Z_2$			$\frac{(X_1 - X_2)^2}{10V} + Z_2$			
Total Error ($-10V \leq X \leq 10V$)	±0.6			±0.3			±0.6			±0.3			%
SQUARE-ROOTER PERFORMANCE													
Transfer Function, ($Z_1 \leq Z_2$)	$\sqrt{10V(Z_2 - Z_1) + X_2}$			$\sqrt{10V(Z_2 - Z_1) + X_2}$			$\sqrt{10V(Z_2 - Z_1) + X_2}$			$\sqrt{10V(Z_2 - Z_1) + X_2}$			
Total Error ¹ ($1V \leq Z \leq 10V$)	±1.0			±0.5			±1.0			±0.5			%
POWER SUPPLY SPECIFICATIONS													
Supply Voltage													
Rated Performance	±15			±15			±15			±15			V
Operating	±8		±18	±8		±18	±8		±22	±8		±22	V
Supply Current													
Quiescent		4	6		4	6		4	6		4	6	mA

¹ Figures given are percent of full-scale, ±10 V (that is, 0.01% = 1 mV).
² Can be reduced to 3 V using an external resistor between -V_S and SF.
³ Irreducible component due to nonlinearity; excludes effect of offsets.
⁴ Using an external resistor adjusted to give a value of SF = 3 V.
⁵ See the functional block diagram (Figure 1) for definition of sections.

ABSOLUTE MAXIMUM RATINGS

THERMAL RESISTANCE

θ_{JA} is specified for the worst-case conditions, that is, a device soldered in a circuit board for surface-mount packages.

Table 2. Thermal Resistance

Package Type	θ_{JA}	θ_{JC}	Unit
10-Lead TO-100	150	25	°C/W
14-Lead SBDIP	95	25	°C/W

PIN CONFIGURATIONS AND FUNCTION DESCRIPTIONS

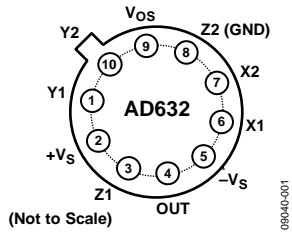


Figure 2. Pin Configuration, H-Package, TO-100

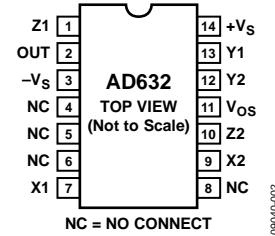


Figure 3. Pin Configuration, D-Package, SBDIP

Table 3. Pin Function Descriptions, 10-Pin TO-100

Pin No.	Mnemonic	Description
1	Y1	Y Multiplicand Noninverting Input.
2	+Vs	Positive Supply Voltage.
3	Z1	Summing Node Noninverting Input.
4	OUT	Product.
5	-Vs	Negative Supply Voltage.
6	X1	X Multiplicand Noninverting Input.
7	X2	X Multiplicand Inverting Input.
8	Z2	Summing Node Inverting Input.
9	Vos	Offset Voltage Adjustment.
10	Y2	Y Multiplicand Inverting Input.

Table 4. Pin Function Descriptions, 14-Lead SBDIP

Pin No.	Mnemonic	Description
1	Z1	Summing Node Noninverting Input.
2	OUT	Product.
3	-Vs	Negative Supply Voltage.
4, 5, 6, 8	NC	No Connection. Do not connect to this pin.
7	X1	X Multiplicand Noninverting Input.
9	X2	X Multiplicand Noninverting Input.
10	Z2	Summing Node Inverting Input.
11	Vos	Offset Voltage Adjustment.
12	Y2	Y Multiplicand Inverting Input.
13	Y1	Y Multiplicand Noninverting Input.
14	+Vs	Positive Supply Voltage.

TYPICAL PERFORMANCE CHARACTERISTICS

Typical @ 25°C with $\pm V_s = 15\text{ V}$.



Figure 4. AC Feedthrough vs. Frequency



Figure 6. Frequency Response vs. Divider Denominator Input Voltage



Figure 5. Frequency Response as a Multiplier

OPERATION AS A MULTIPLIER

Figure 7 shows the basic connection for multiplication. Note that the circuit meets all specifications without trimming.



Figure 7. Basic Multiplier Connection

When needed, the user can reduce ac feedthrough to a minimum (as in a suppressed carrier modulator) by applying an external trim voltage (± 30 mV range required) to the X or Y input. Figure 4 shows the typical ac feedthrough with this adjustment mode. Note that the feedthrough of the Y input is a factor of 10 lower than that of the X input and is to be used for applications where null suppression is critical.

The Z_2 terminal of the AD632 can be used to sum an additional signal into the output. In this mode, the output amplifier behaves as a voltage follower with a 1 MHz small signal bandwidth and a 20 V/ μ s slew rate. Always reference this terminal to the ground point of the driven system, particularly if this is remote. Likewise, reference the differential inputs to their respective signal common potentials to realize the full accuracy of the AD632.

A much lower scaling voltage can be achieved without any reduction of input signal range using a feedback attenuator, as shown in Figure 8. In this example, the scale is such that $V_{OUT} = XY$, so that the circuit can exhibit a maximum gain of 10. This connection results in a reduction of bandwidth to about 80 kHz without the peaking capacitor, C_F . In addition, the output offset voltage is increased by a factor of 10 making external adjustments necessary in some applications.

Feedback attenuation also retains the capability for adding a signal to the output. Signals can be applied to the Z terminal, where they are amplified by -10 , or to the common ground connection where they are amplified by -1 . Input signals can also be applied to the lower end of the 2.7 k Ω resistor, giving a gain of $+9$.



Figure 8. Connections for Scale Factor of Unity

OPERATION AS A DIVIDER

Figure 9 shows the connection required for division. Unlike earlier products, the AD632 provides differential operation on both the numerator and the denominator, allowing the ratio of two floating variables to be generated. Further flexibility results from access to a high impedance summing input to Y₁. As with all dividers based on the use of a multiplier in a feedback loop, the bandwidth is proportional to the denominator magnitude, as shown in Figure 6.

The accuracy of the AD632 B-model is sufficient to maintain a 1% error over a 10 V to 1 V denominator range.

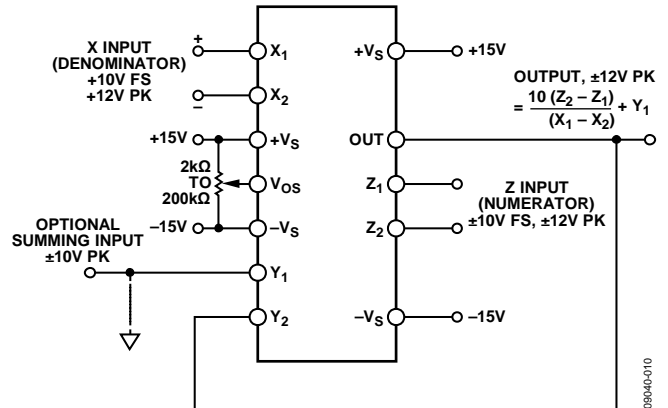
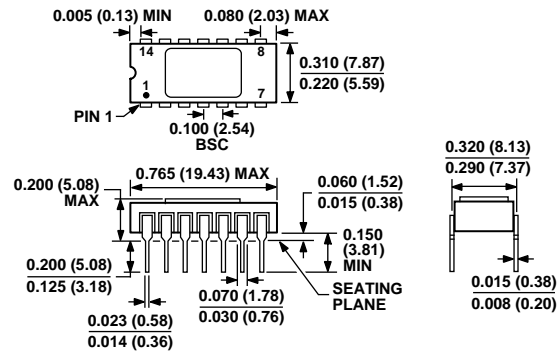


Figure 9. Basic Divider Connection

09840-010

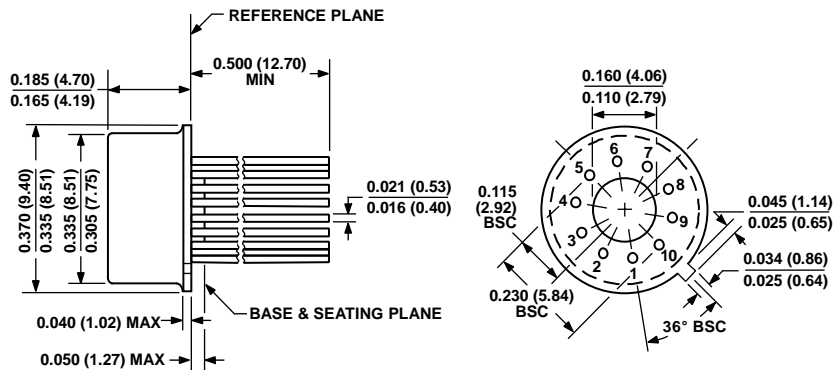
OUTLINE DIMENSIONS



CONTROLLING DIMENSIONS ARE IN INCHES; MILLIMETER DIMENSIONS (IN PARENTHESES) ARE ROUNDED-OFF INCH EQUIVALENTS FOR REFERENCE ONLY AND ARE NOT APPROPRIATE FOR USE IN DESIGN.

Figure 10. 14-Lead Side-Brazed Ceramic Dual In-Line Package [SBDIP] (D-14)

Dimensions shown in inches and (millimeters)



DIMENSIONS PER JEDEC STANDARDS MO-006-AF
CONTROLLING DIMENSIONS ARE IN INCHES; MILLIMETER DIMENSIONS (IN PARENTHESES) ARE ROUNDED-OFF INCH EQUIVALENTS FOR REFERENCE ONLY AND ARE NOT APPROPRIATE FOR USE IN DESIGN.

Figure 11. 10-Pin Metal Header Package [TO-100] (H-10)

Dimensions shown in inches and (millimeters)

022006-A

ORDERING GUIDE

Model¹	Temperature Range	Package Description	Package Option
AD632AD	-25°C to +85°C	14-Lead Side-Brazed Ceramic Dual In-Line Package [SBDIP]	D-14
AD632ADZ	-25°C to +85°C	14-Lead Side-Brazed Ceramic Dual In-Line Package [SBDIP]	D-14
AD632AH	-25°C to +85°C	10-Pin Metal Header Package [TO-100]	H-10
AD632AHZ	-25°C to +85°C	10-Pin Metal Header Package [TO-100]	H-10
AD632BD	-25°C to +85°C	14-Lead Side-Brazed Ceramic Dual In-Line Package [SBDIP]	D-14
AD632BDZ	-25°C to +85°C	14-Lead Side-Brazed Ceramic Dual In-Line Package [SBDIP]	D-14
AD632BH	-25°C to +85°C	10-Pin Metal Header Package [TO-100]	H-10
AD632BHZ	-25°C to +85°C	10-Pin Metal Header Package [TO-100]	H-10
AD632SD	-55°C to +125°C	14-Lead Side-Brazed Ceramic Dual In-Line Package [SBDIP]	D-14
AD632SH	-55°C to +125°C	10-Pin Metal Header Package [TO-100]	H-10
AD632SH/883B	-55°C to +125°C	10-Pin Metal Header Package [TO-100]	H-10
AD632TD	-55°C to +125°C	14-Lead Side-Brazed Ceramic Dual In-Line Package [SBDIP]	D-14
AD632TD/883B	-55°C to +125°C	14-Lead Side-Brazed Ceramic Dual In-Line Package [SBDIP]	D-14
AD632TH	-55°C to +125°C	10-Pin Metal Header Package [TO-100]	H-10
AD632TH/883B	-55°C to +125°C	10-Pin Metal Header Package [TO-100]	H-10

¹ Z = RoHS Compliant Part.

NOTES

О компании

ООО "ТрейдЭлектроникс" - это оперативные поставки широкого спектра электронных компонентов отечественного и импортного производства напрямую от производителей и с крупнейших мировых складов. Реализуемая нашей компанией продукция насчитывает более полумиллиона наименований.

Благодаря этому наша компания предлагает к поставке практически не ограниченный ассортимент компонентов как оптовыми, мелкооптовыми партиями, так и в розницу.

Наличие собственной эффективной системы логистики обеспечивает надежную поставку продукции по конкурентным ценам в точно указанные сроки.

Срок поставки со стоков в **Европе и Америке – от 3 до 14 дней.**

Срок поставки из **Азии – от 10 дней.**

Благодаря развитой сети поставщиков, помогаем в поиске и приобретении экзотичных или снятых с производства компонентов.

Предоставляем спец цены на элементы для создания инженерных сэмплов.

Упорный труд, качественный результат дают нам право быть уверенными в себе и надежными для наших клиентов.

Наша компания это:

- Гарантия качества поставляемой продукции
- Широкий ассортимент
- Минимальные сроки поставок
- Техническая поддержка
- Подбор комплектации
- Индивидуальный подход
- Гибкое ценообразование

Наша организация особенно сильна в поставках модулей, микросхем, пассивных компонентов, ксайленсах (XC), EPF, EPM и силовой электроники.

Большой выбор предлагаемой продукции, различные виды оплаты и доставки, позволят Вам сэкономить время и получить максимум выгоды от сотрудничества с нами!

Перечень производителей, продукцию которых мы поставляем на российский рынок



С удовольствием будем прорабатывать для Вас поставки всех необходимых компонентов по текущим запросам для скорейшего выявления групп элементов, по которым сотрудничество именно с нашей компанией будет для Вас максимально выгодным!

С уважением,

Менеджер отдела продаж ООО

«Трейд Электроникс»

Шишлаков Евгений

8 (495)668-30-28 доб 169

manager28@tradeelectronics.ru

<http://www.tradeelectronics.ru/>